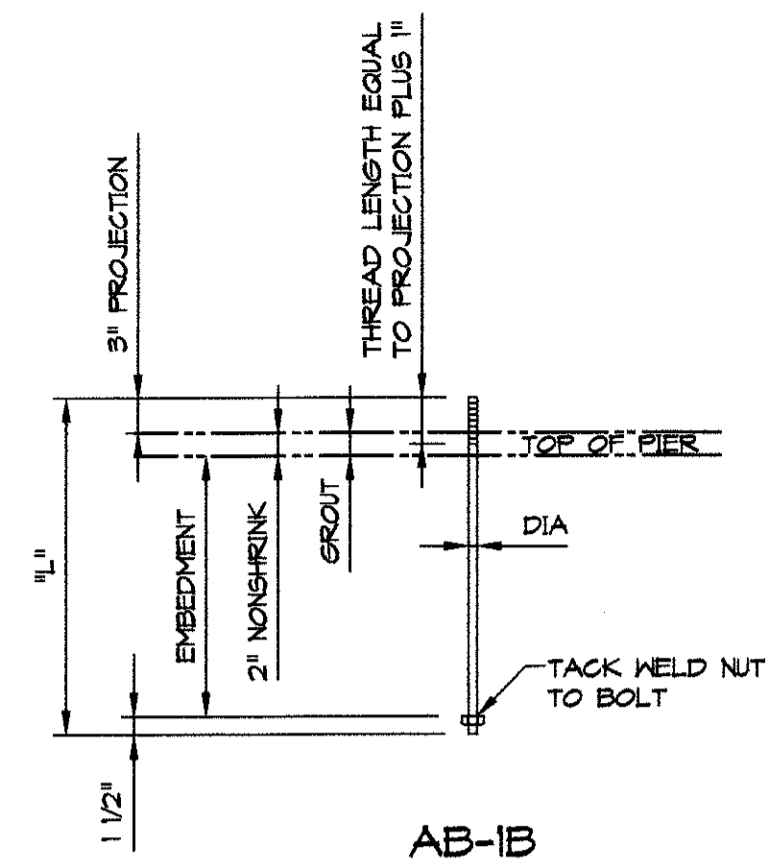
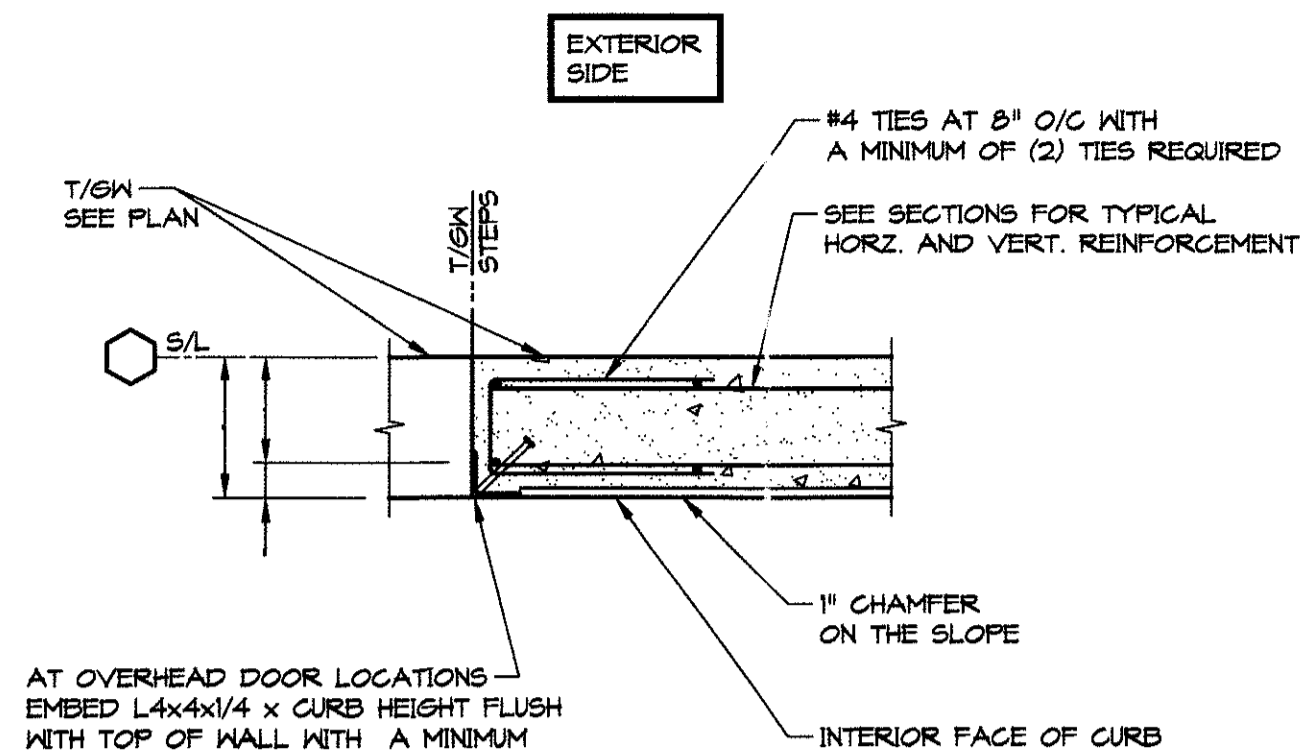


AB-1B ANCHOR BOLT SCHEDULE		
DIA	EMBEDMENT	L ¹
3/4"	1-5"	1-1 1/2"
7/8"	1-7"	2-1 1/2"
1"	1-10"	2-4 1/2"
1 1/8"	2-4"	2-7 1/2"
1 1/4"	2-5"	2-4 1/2"
1 1/2"	2-8"	3-2 1/2"
1 3/4"	3-2"	3-8 1/2"
2"	3-7"	4-1 1/2"



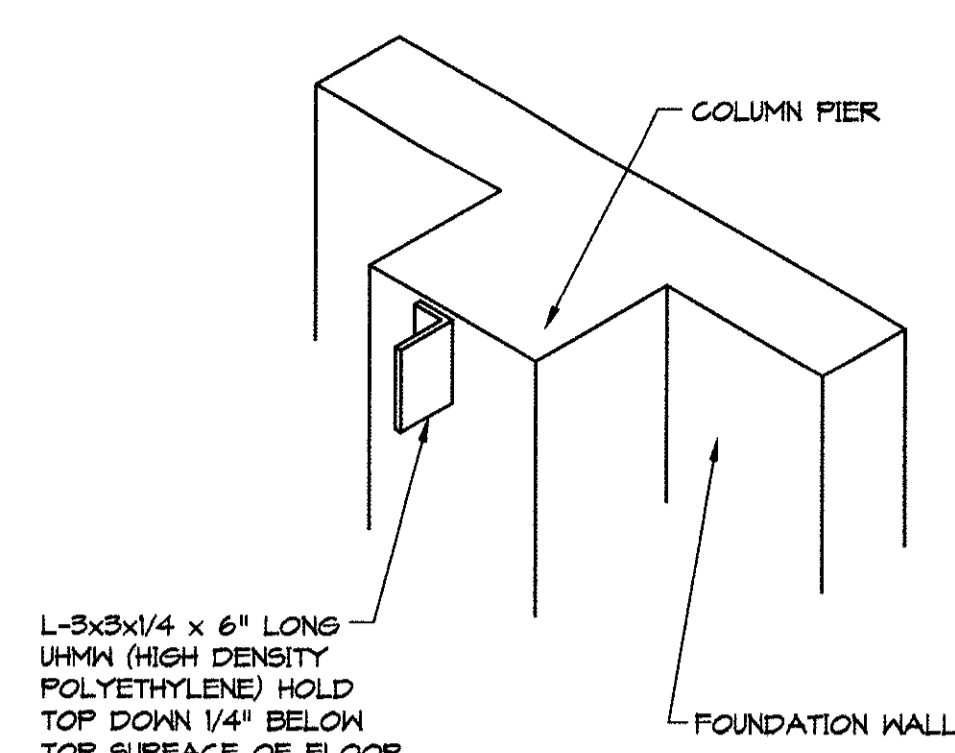
AB-1B

3/4" = 1'-0"



AT OVERHEAD DOOR LOCATIONS
EMBED L⁴ x 4 x 1/4" x CURB HEIGHT FLUSH
WITH TOP OF WALL WITH A MINIMUM
OF (2) 1/2" DIA. HEADED ANCHOR STUDS.
MAXIMUM SPACING OF STUDS SHALL BE 1'-0" O/C
WITH A MAXIMUM DISTANCE FROM ENDS OF 3".

3/4" = 1'-0"



L-3x3x1/4 x 6" LONG
UHMM (HIGH DENSITY
POLYETHYLENE) HOLD
TOP DOWN 1/4" BELOW
TOP SURFACE OF FLOOR
SLAB AND SECURE TO
PIER. ALIGN OUTSTANDING
LEG WITH SAWCUT. TYP.

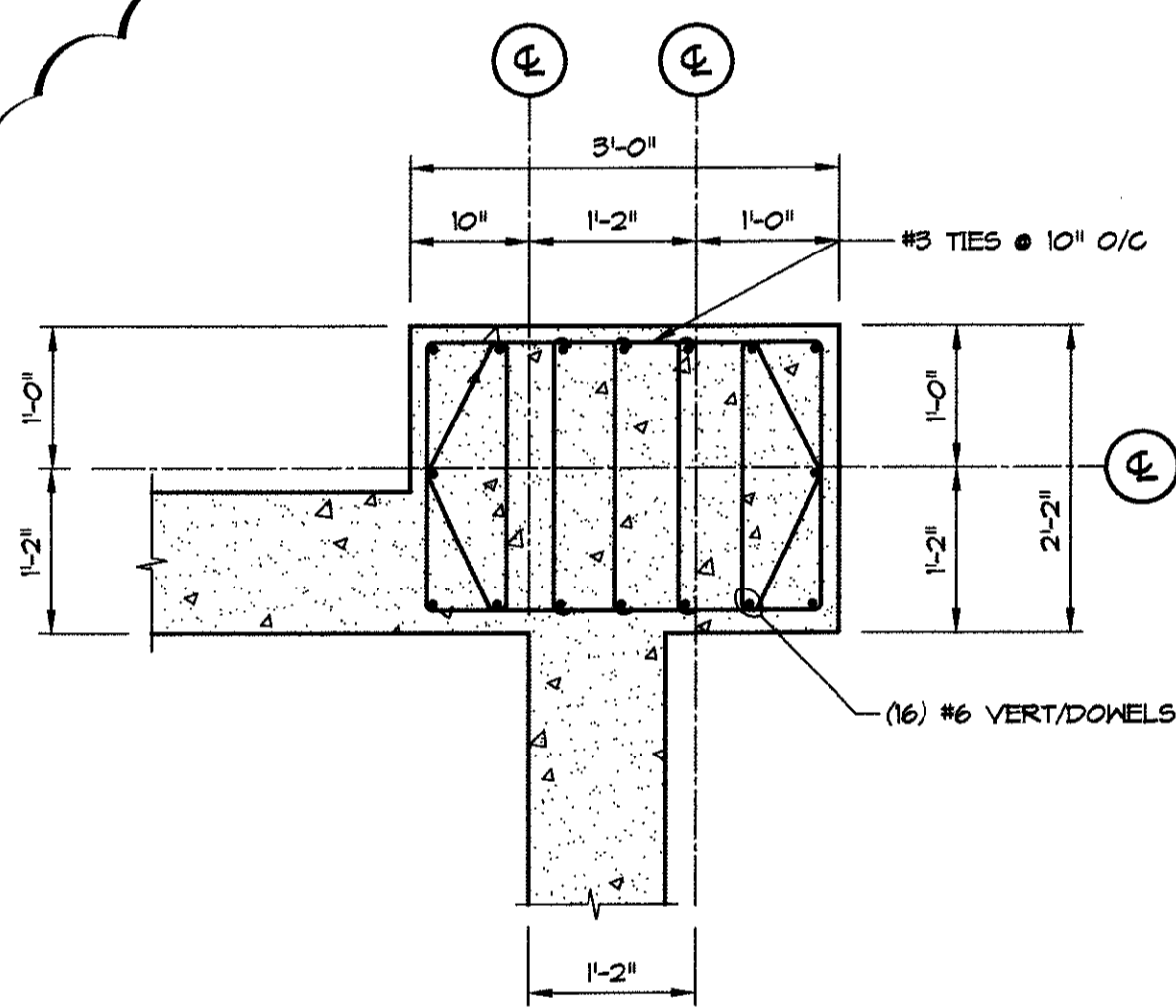
NO-SCALE

1 ANCHOR ROD 2

2 TYP GRADE WALL CONST @ CURB ENDS

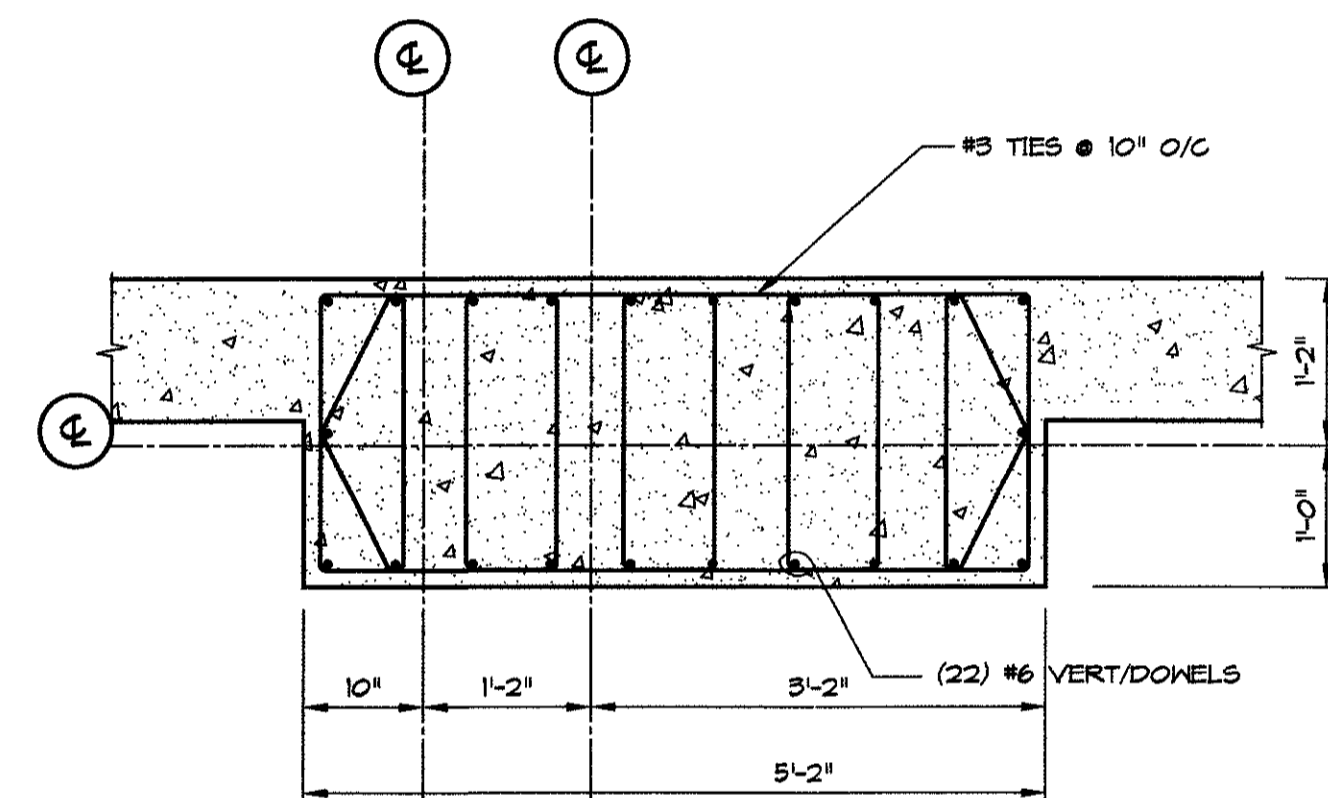
3 TRENCH DRAIN & COL PIERS MEET SAWCUT

4



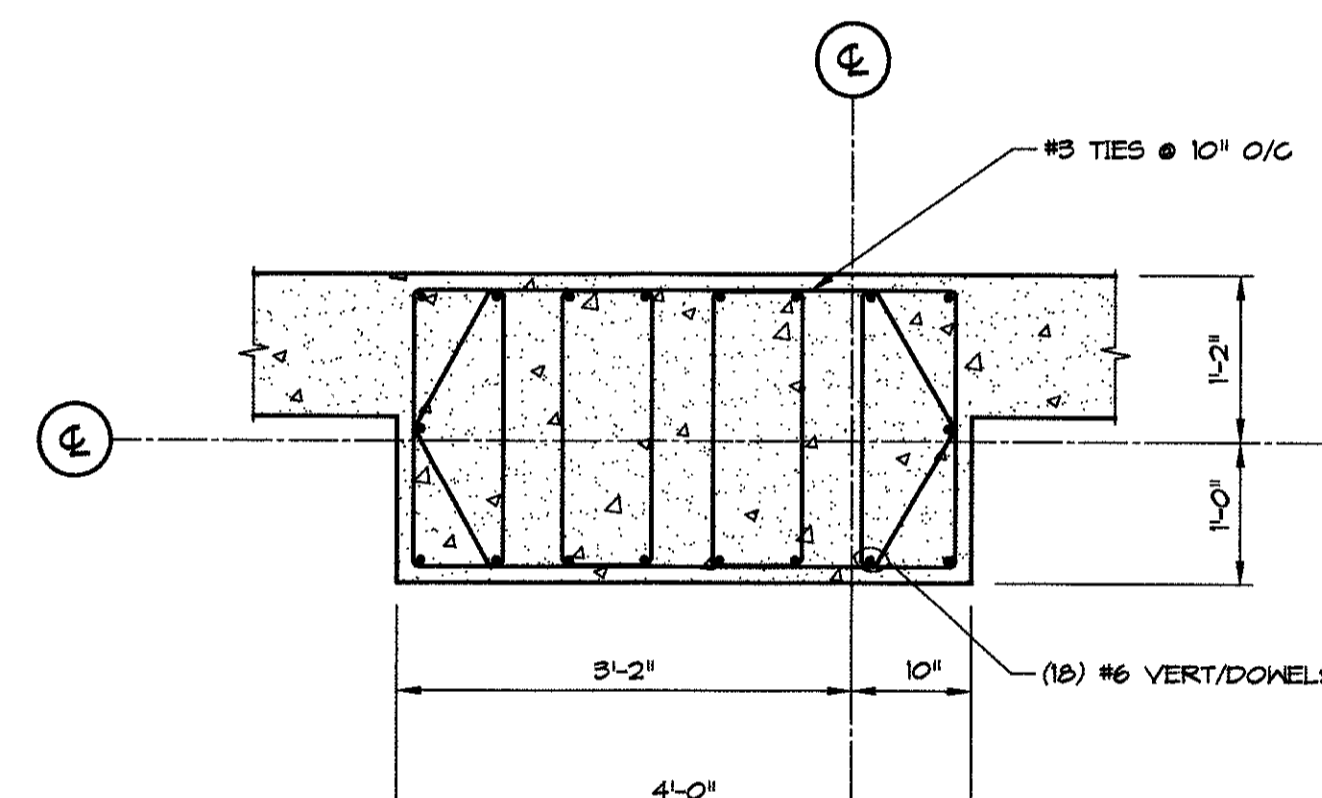
3/4" = 1'-0"

5 PIER P6



3/4" = 1'-0"

6 PIER P7



3/4" = 1'-0"

7 PIER P8

8

9

10

11

12



Browning Engineers Inc.
Structural Design Group
2311 LATIMER DRIVE, SUITE 200
CHARLOTTE, NORTH CAROLINA 28211
704.367.1801

FEDEX GROUND DOTHAN
PACKAGE DISTRIBUTION CENTER
4674 WESTGATE PARKWAY
DOTHAN, AL 36503

SHEET NO. 5
S404

SECTIONS AND DETAILS

SAAD DEVELOPMENT CORPORATION
3601 SPRING HILL BUSINESS PARK, SUITE 200
MOBILE, AL 36688
PHONE: 251-478-7223
FAX: 251-478-7223
COPYRIGHT © 2007 SAAD DEVELOPMENT CORPORATION
All rights reserved. No part of this document may be reproduced or transmitted in any form or by any means, electronic or mechanical, including photocopying, recording, or by any information storage and retrieval system, without the prior written permission of SAAD DEVELOPMENT CORPORATION.

GBC DESIGN, INC.
Akron, OH 44333-3906
3878 W. Market, St. Phone 880-896-0228
8878 W. Market, St. Phone 880-896-5783
Fax 880-896-5783

FedEx
Ground
FedEx Home Delivery
Co-Location

JOB NO. 40539
DATE 11/19/07
DRAWN BY DT
CHECKED BY MAG

ALABAMA
LICENSED
No. 23831
PROFESSIONAL
ENGINEER
MAG

REVISIONS
1 1/10/08