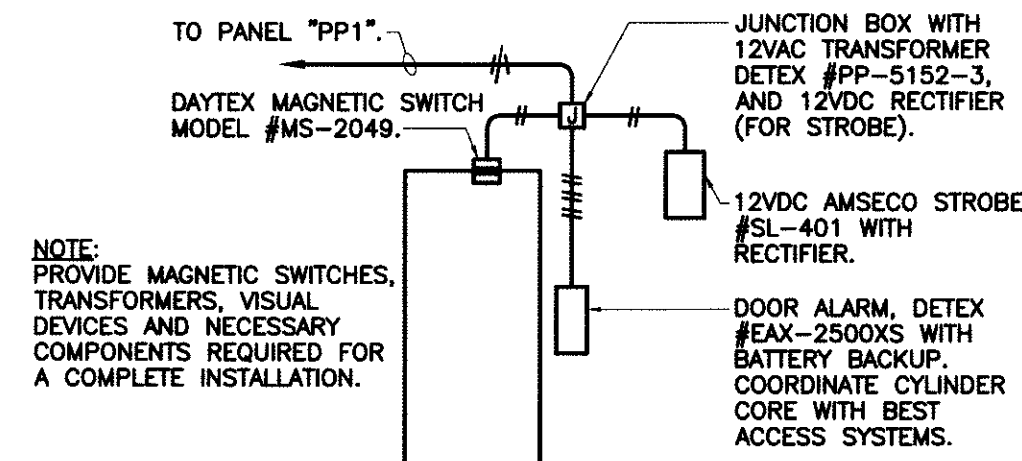


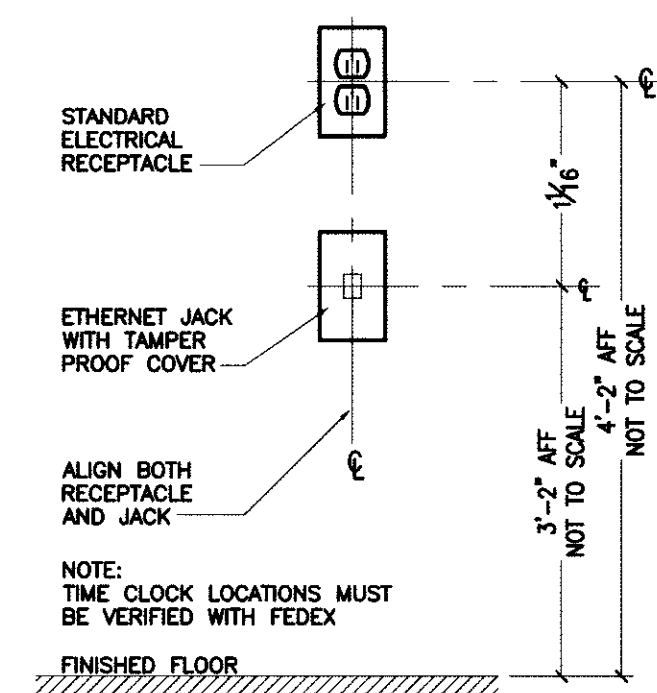
NOTE:
TMS TELEPHONE TO BE MOUNTED 8" FROM THE LATCH SIDE OF DOOR FRAME. COORDINATE LOCATION WITH FEDEX.

TMS TELE DETAIL
N.T.S.



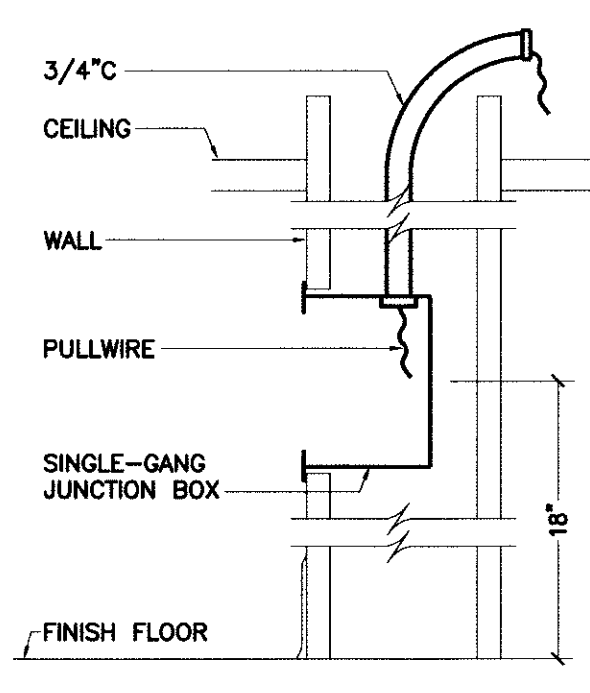
NOTE:
PROVIDE MAGNETIC SWITCHES, TRANSFORMERS, VISUAL DEVICES AND NECESSARY COMPONENTS REQUIRED FOR A COMPLETE INSTALLATION.

EXIT DOOR ALARM DETAIL
N.T.S. (SYMBOL * (A) ?)

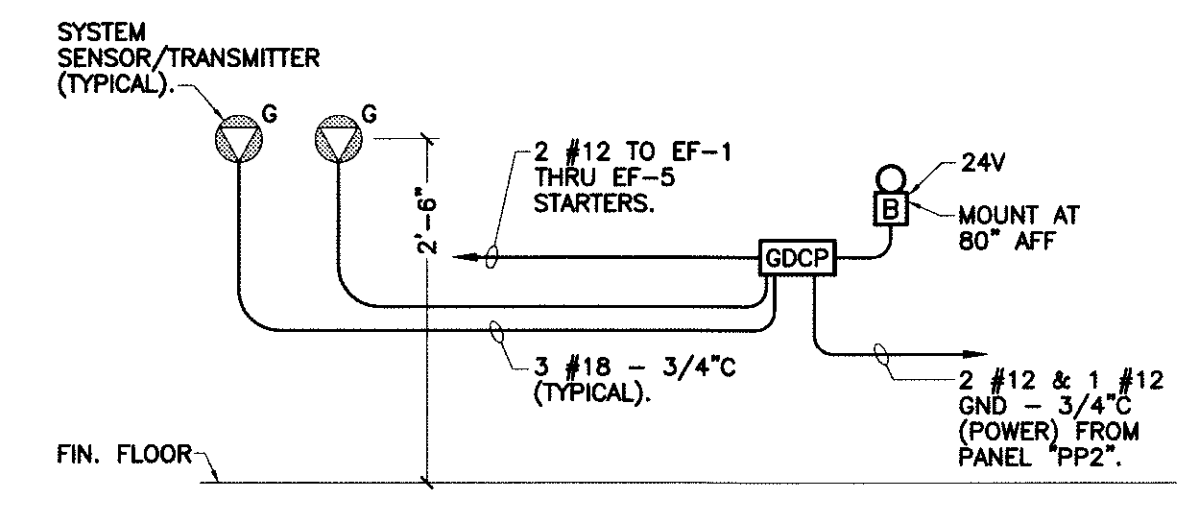


NOTE:
TIME CLOCK LOCATIONS MUST BE VERIFIED WITH FEDEX

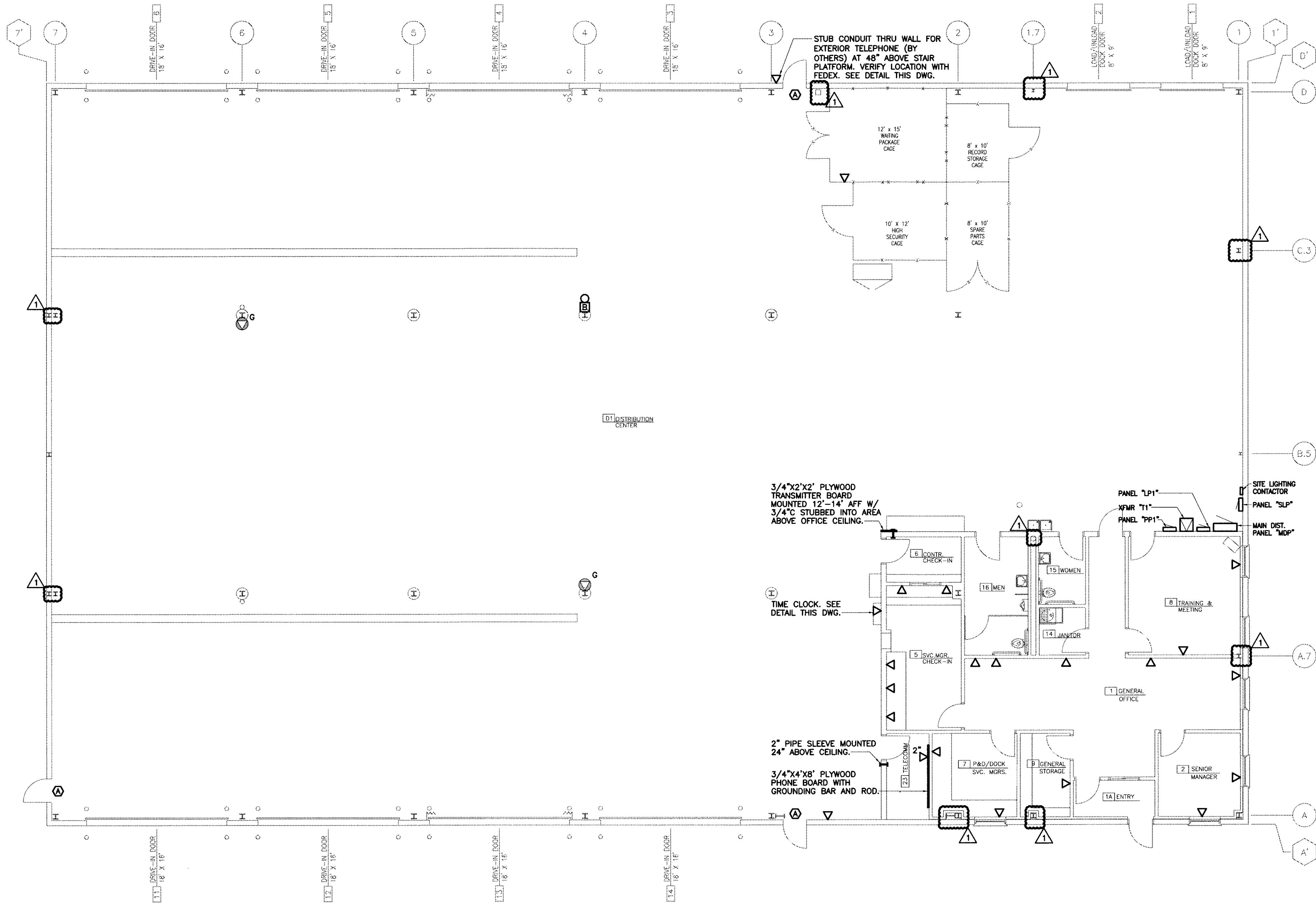
TIME CLOCK RECEPT. ELEV.
N.T.S.



TYP. TERM. DETAIL (SYMBOL '▽')
N.T.S.



CO SYSTEM RISER DIAGRAM
N.T.S.



FLOOR PLAN - SYSTEMS
SCALE: 1/8"=1'-0"

Cadfile: 40267 E202.dwg
PROJ: # G:\Jobs\2007\07045\cad\
Date: 01/16/08



SHEET NO. **E202**
 REVISIONS
 1/15/08
 JOB NO. 40587
 DATE 11/29/07
 DRAWN BY K/H
 CHECKED BY G.R.H.
GBC DESIGN, INC.
 8998 W. Market St., Akron, OH 44333-9906
 Phone 330-586-0258 Fax 330-586-5752
SAAD DEVELOPMENT CORPORATION
 3601 Spring Hill Business Park, Suite 200
 Mobile, AL 36608
 PHONE: 251-478-7223
 COPYRIGHT © 2007 SAAD DEVELOPMENT CORPORATION
 ALL RIGHTS RESERVED. NO PART OF THIS DOCUMENT MAY BE REPRODUCED OR TRANSMITTED IN ANY FORM OR BY ANY MEANS, ELECTRONIC OR MECHANICAL, WITHOUT PERMISSION IN WRITING FROM SAAD DEVELOPMENT CORPORATION.
 FEDEX GROUND STATESBORO, GA.
 PACKAGE DISTRIBUTION CENTER
 3400 ZELL MILLER PARKWAY
 STATESBORO, GA. 30458
FLOOR PLAN - SYSTEMS
 SHEET NO. **E202**