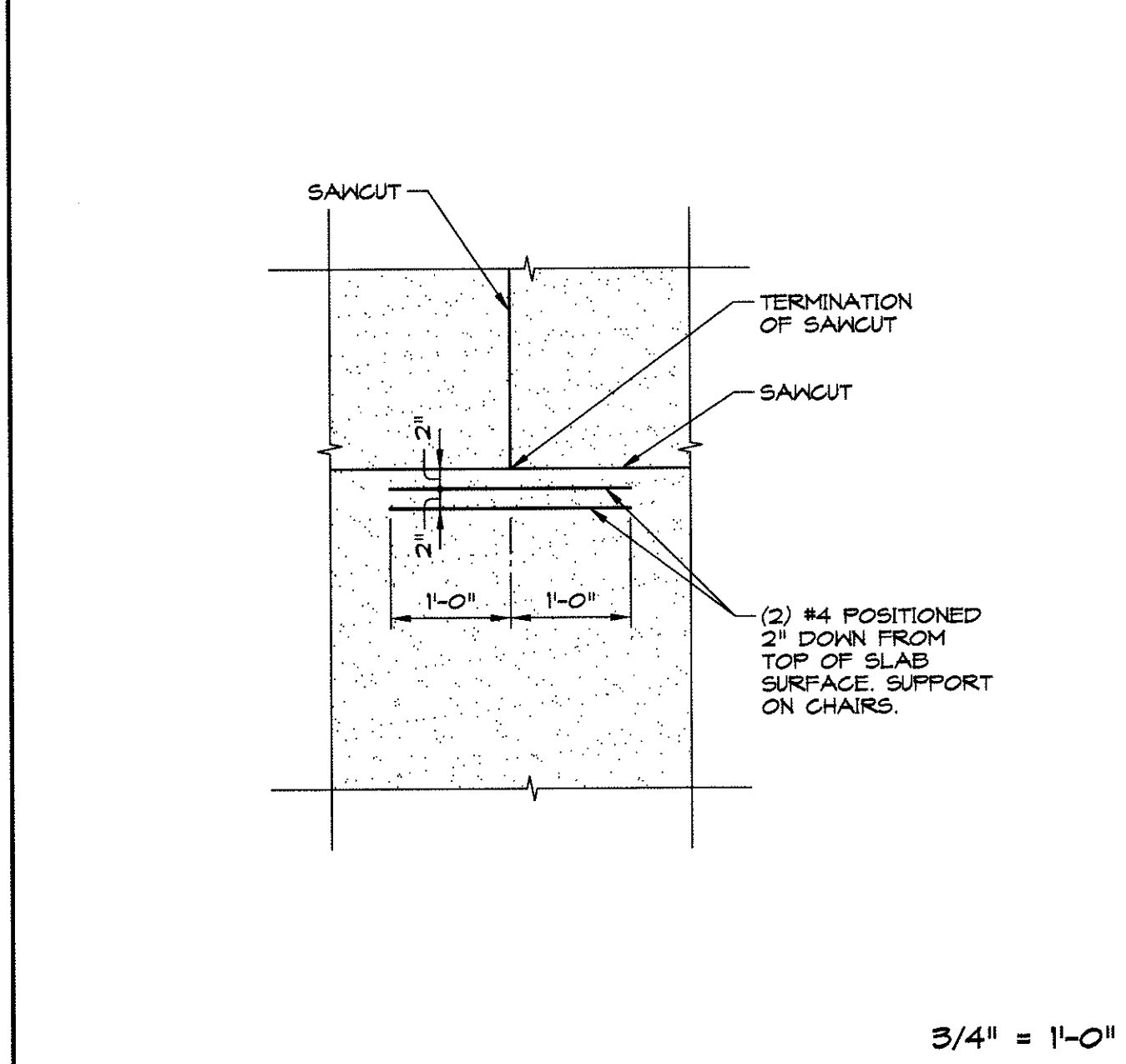
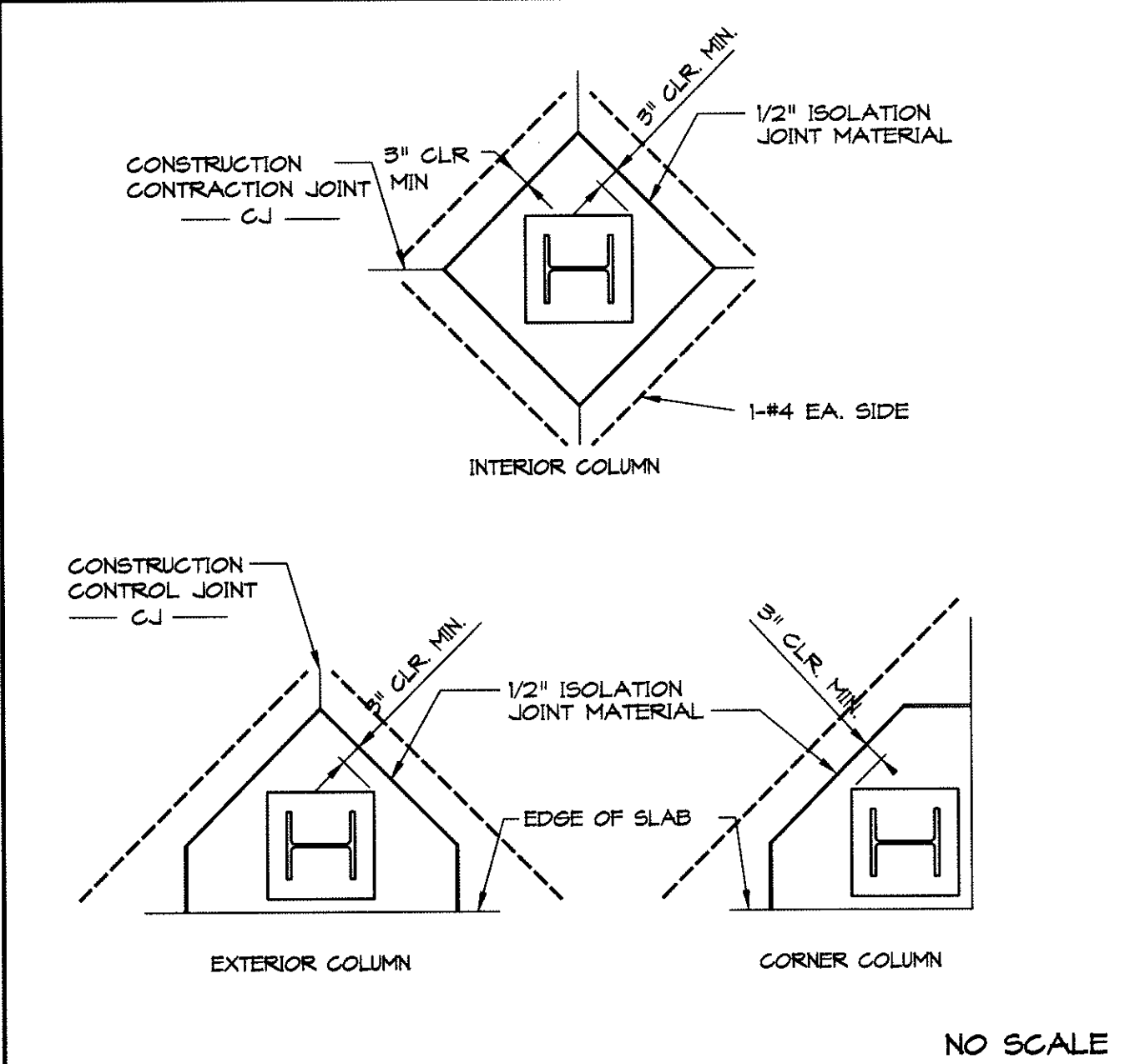
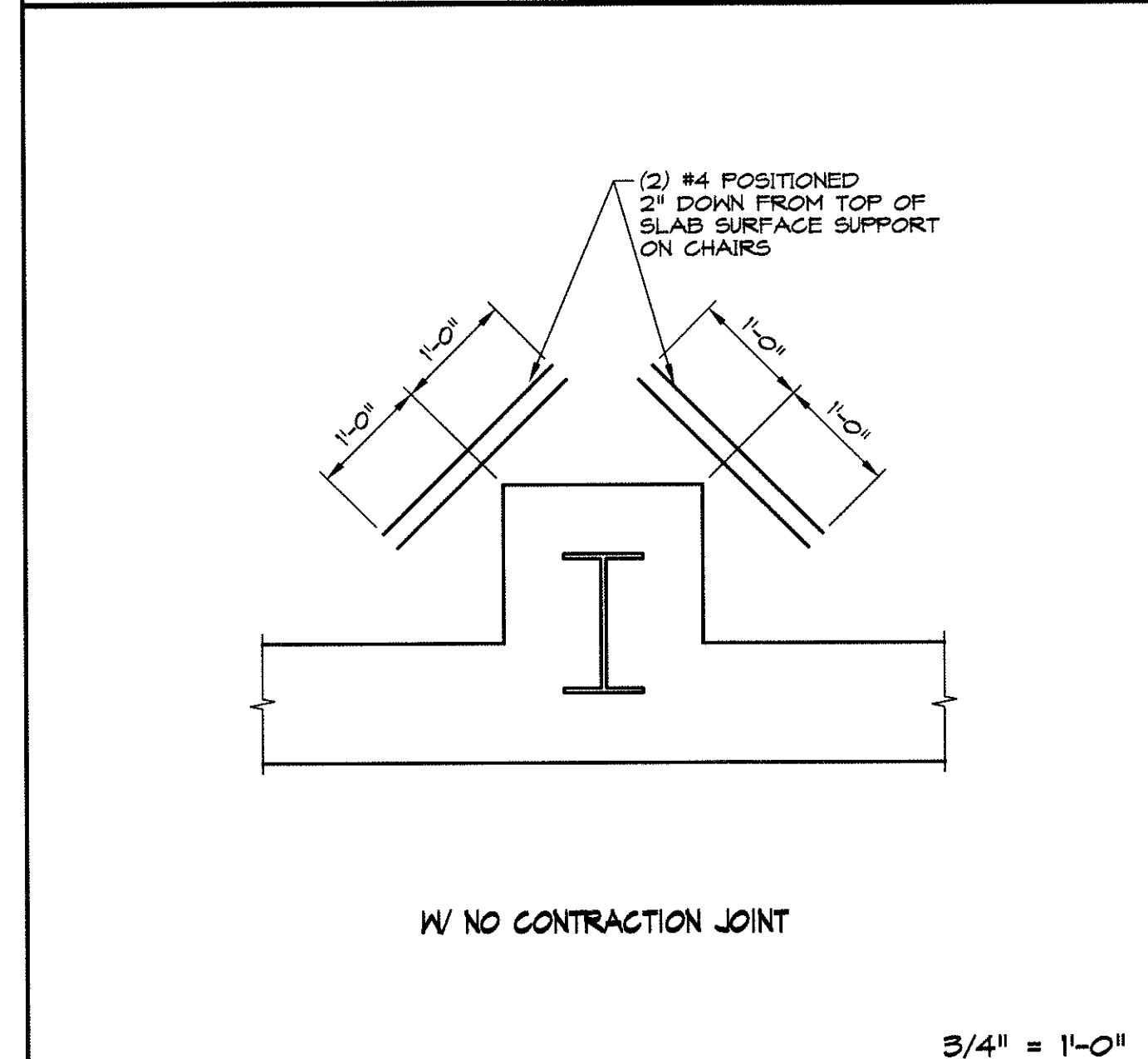


1 TYPICAL SLAB WWF DETAIL

2 DETAIL @ CONTRACTION JT W/SEALANT

3 TYP. PRE-FORMED JT. MAT. W/ SEALANT

4 SLAB ON GRADE CONSTRUCTION JOINT



CONCRETE REINFORCING DOWEL EMBED

BAR SIZE	LEG-DIM "L"	EMBEDMENT "D"		
		3 KSI	3.5 KSI	4 KSI
#3	6"	9"	8"	7"
#4	8"	11"	10"	10"
#5	10"	14"	13"	12"
#6	12"	17"	16"	15"
#7	14"	20"	19"	18"
#8	16"	23"	22"	21"
#9	18"	26"	25"	24"
#10	20"	29"	28"	27"
#11	22"	32"	31"	30"

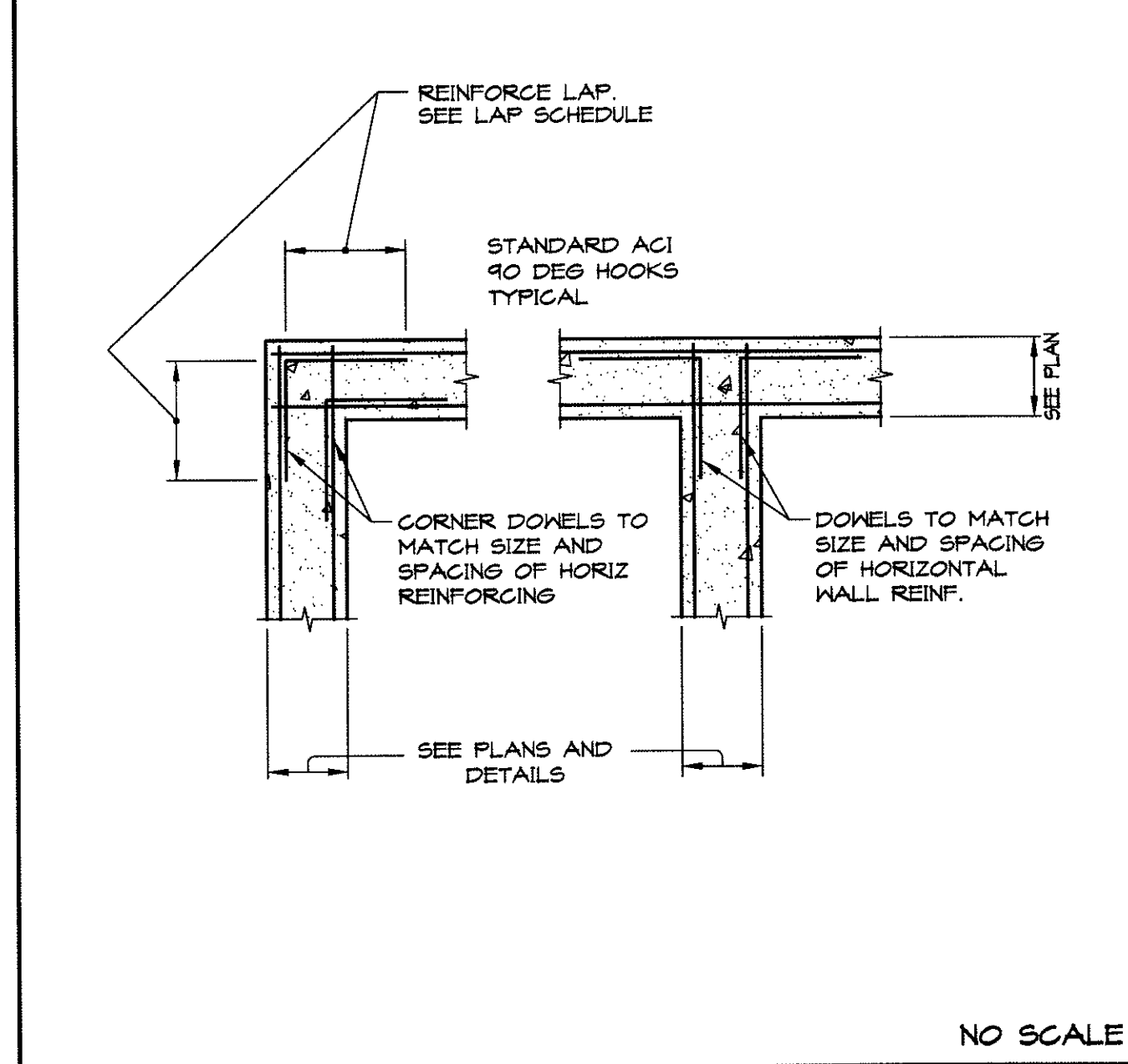
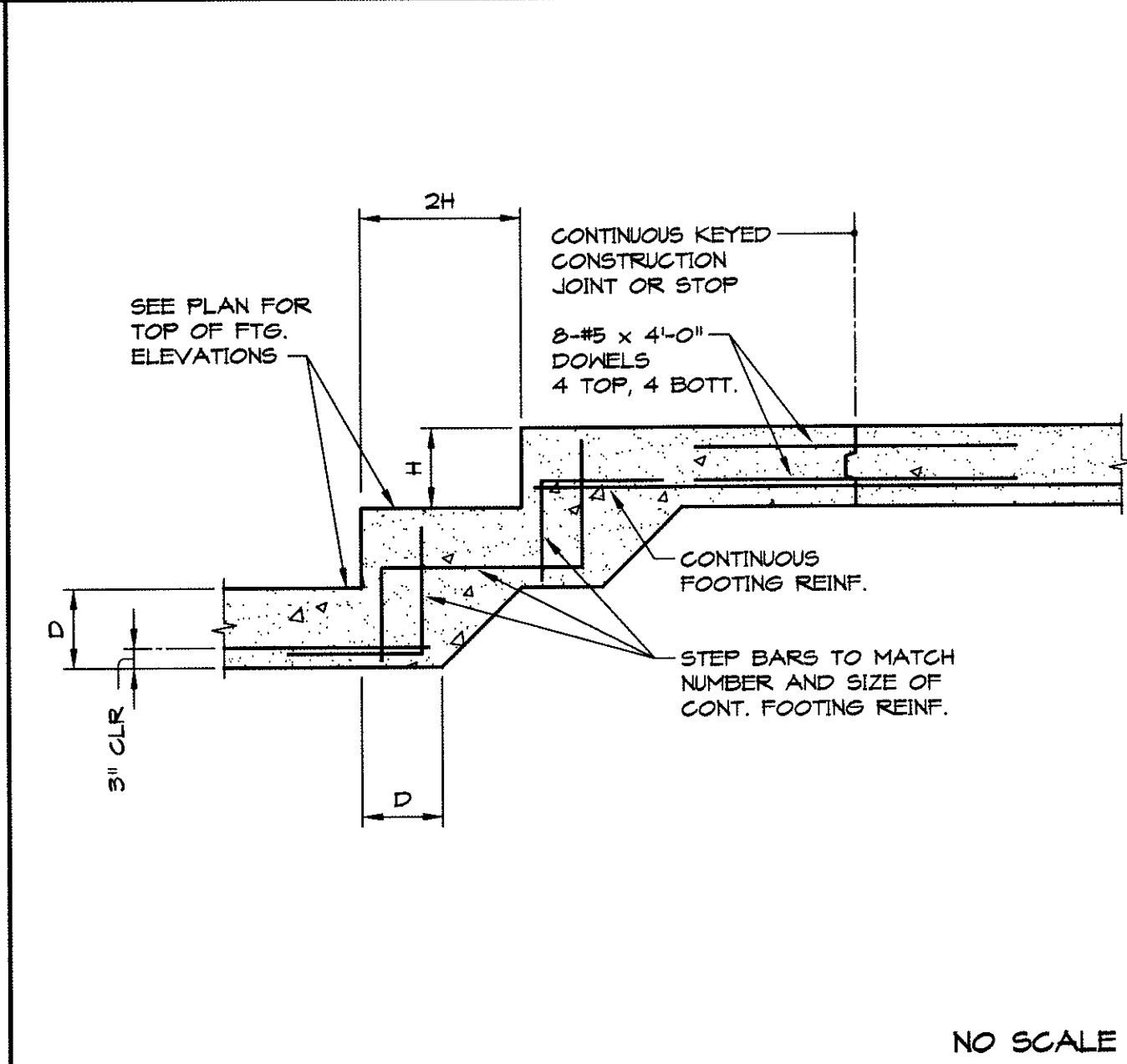
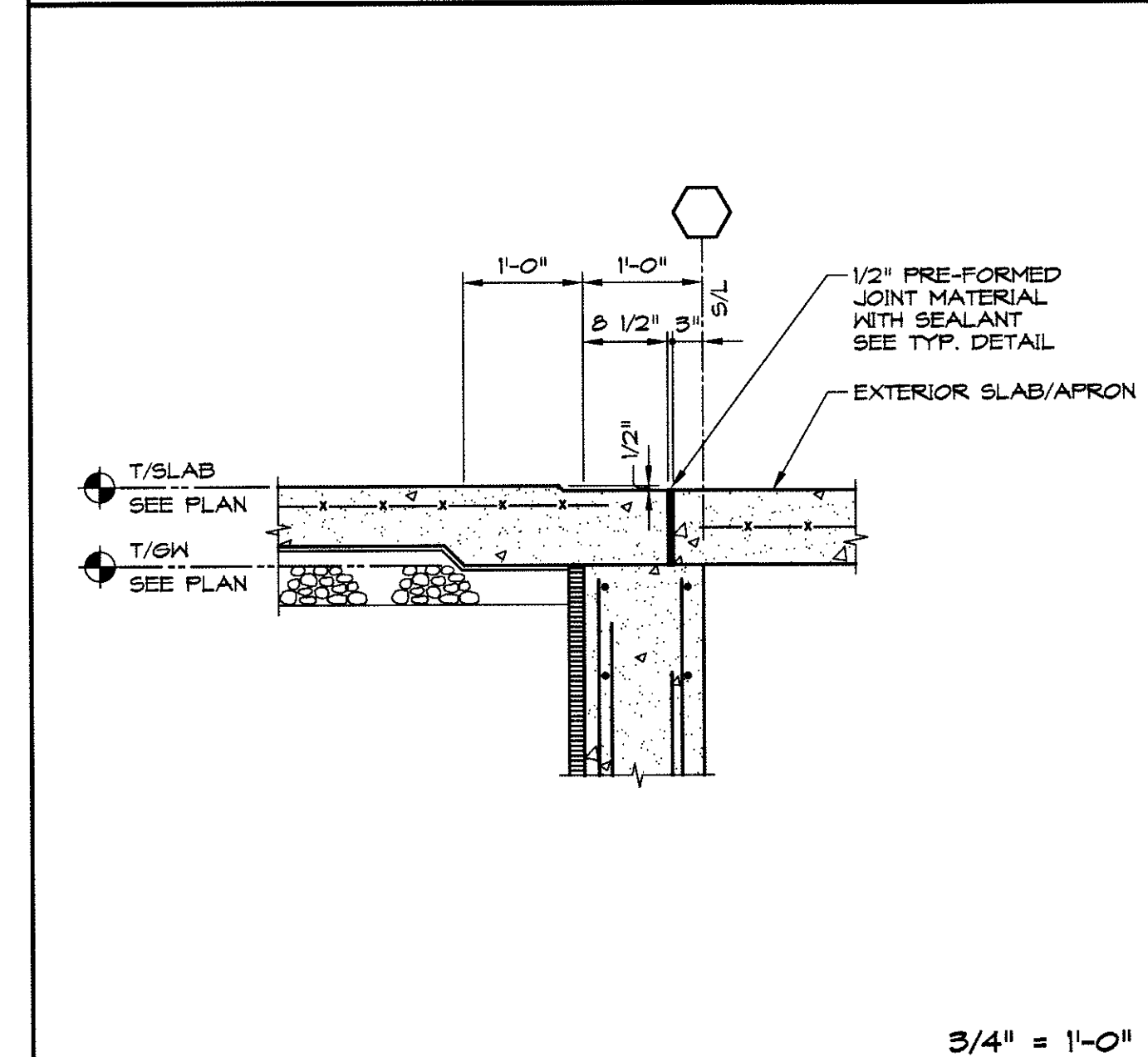
R = BAR RADIUS PER ACI 315

5 TYPICAL DETAIL OF SLAB W/ REENTRANT CORNERS

6 TYPICAL ISOLATION JOINTS AT COLUMNS

7 TYPICAL DETAIL WHEN CONTRACTION JOINT TERMINATES

8 TYP. CONC. REINFORCING DOWEL EMBED



CONCRETE REINFORCING SPLICES

BAR SIZE	F _c =3 KSI	F _c =3.5 KSI	F _c =4 KSI
#3	1'-10"	1'-8"	1'-7"
#4	2'-4"	2'-2"	2'-1"
#5	3'-0"	2'-9"	2'-7"
#6	3'-7"	3'-4"	3'-1"
#7	5'-2"	4'-10"	4'-6"
#8	5'-11"	5'-6"	5'-2"
#9	6'-6"	6'-2"	5'-10"
#10	7'-6"	7'-0"	6'-6"
#11	8'-4"	7'-9"	7'-3"

9 TYPICAL SECTION AT OVERHEAD DOOR

10 TYPICAL STEPPED FOOTING DETAIL

11 TYPICAL WALL/FTG CORNER BAR DETAILS

12 TYP. CONC. REINFORCING SPLICES

GBC DESIGN, INC.
 8876 W. Market St.
 Atlanta, OH 44888-8806
 Phone 800-888-0228
 Fax 800-888-8788

SAAD DEVELOPMENT CORPORATION
 3601 SPRING HILL BUSINESS PARK, SUITE 200
 MOBILE, AL 36608
 PHONE: 251-478-7223
 FAX: 251-478-7223

FEDEX GROUND STATESBORO, GA.
 PACKAGE DISTRIBUTION CENTER
 3400 ZELL MILLER PARKWAY
 STATESBORO, GA. 30458
 SECTION AND DETAILS

BE
Browning Engineers Inc.
 Structural Design Group
 CHARLOTTE, NORTH CAROLINA 28211
 TEL 704.367.1155
 FAX 704.367.1881