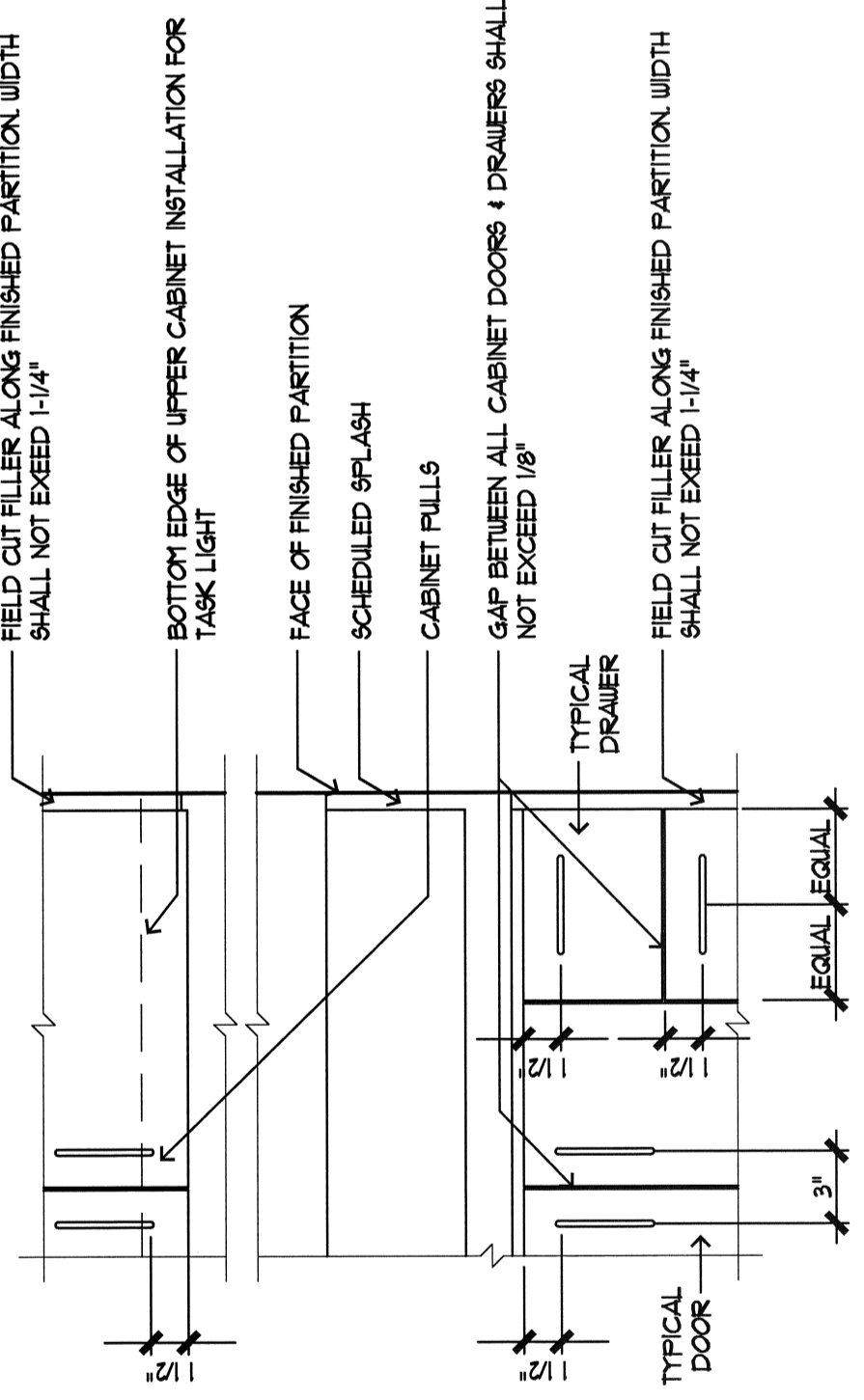
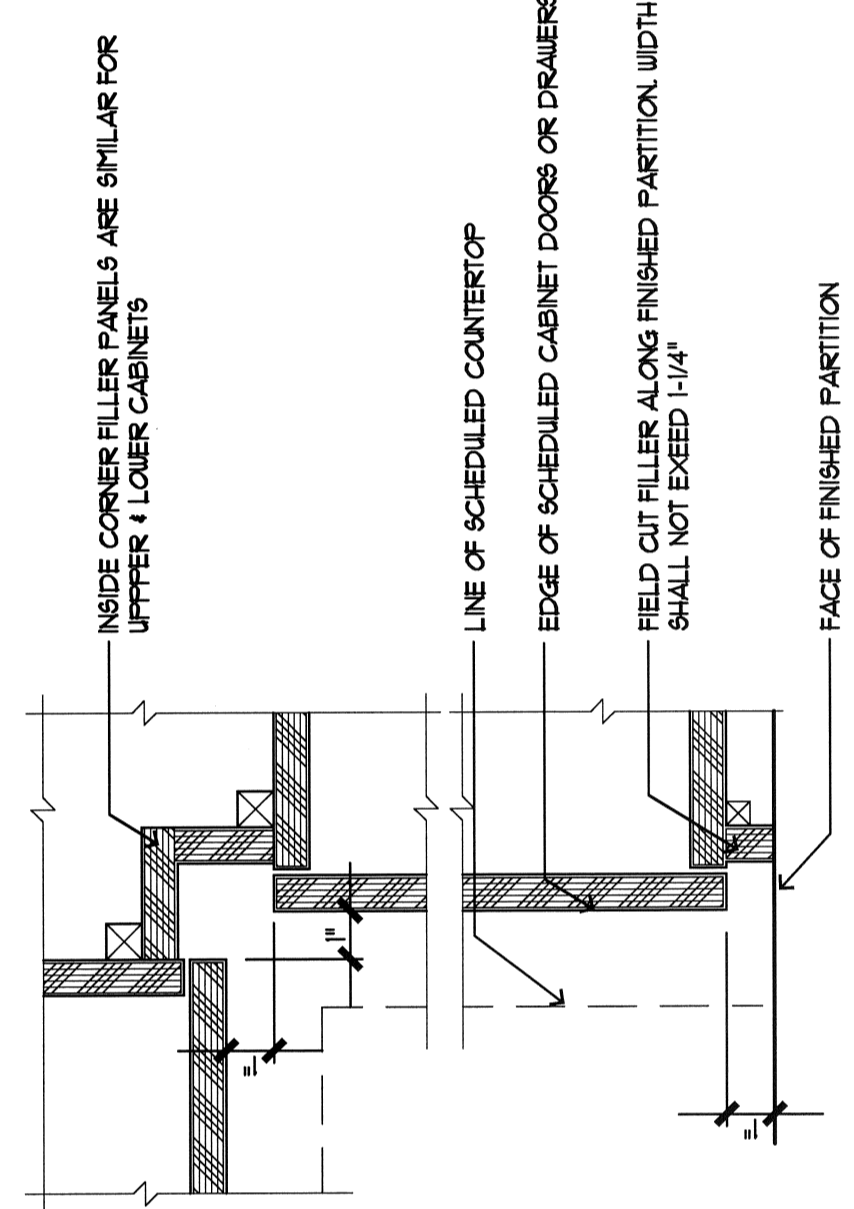


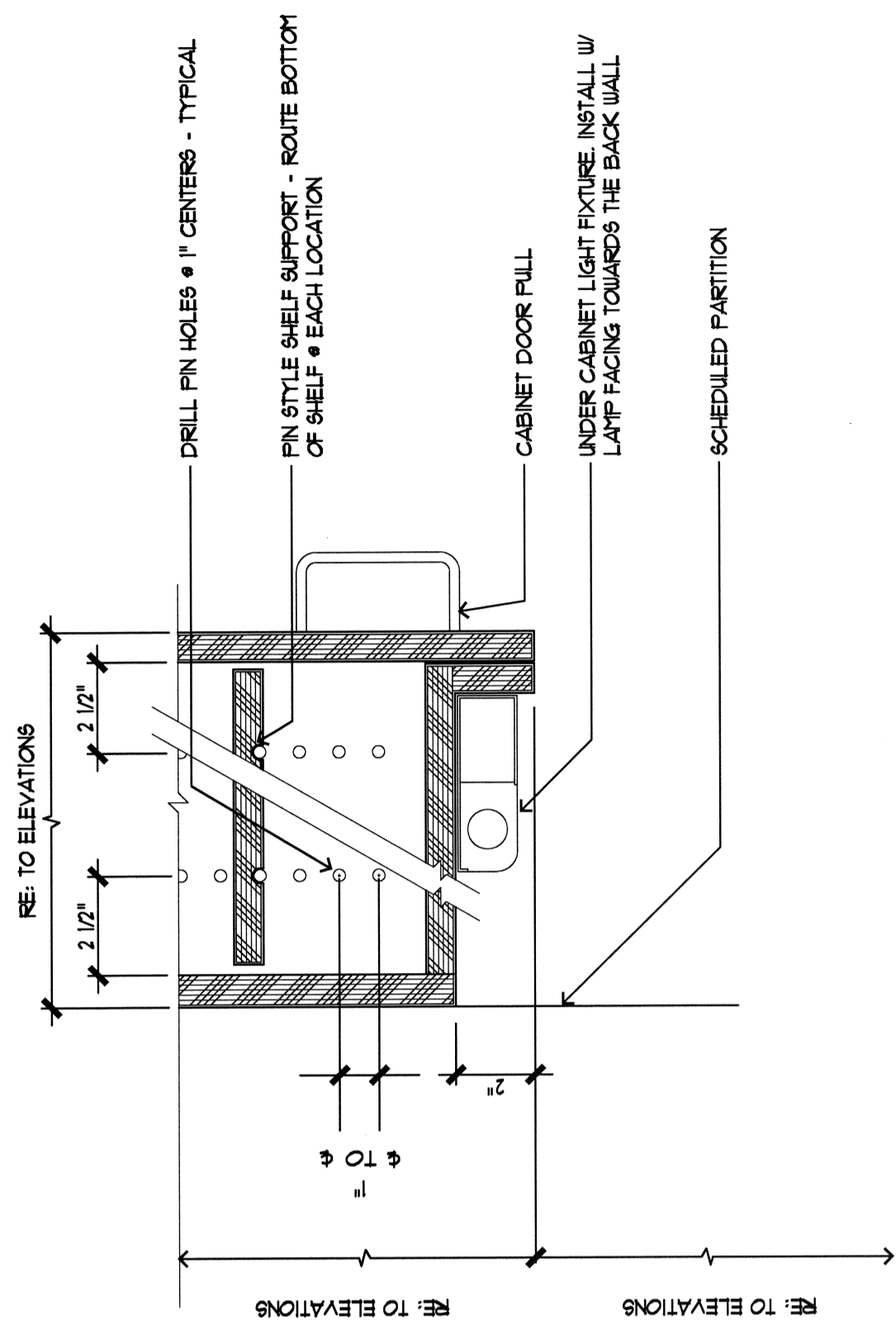
1 CHAIR RAIL DETAIL @ WAITING  
 SCALE: 3/8" = 1'-0"



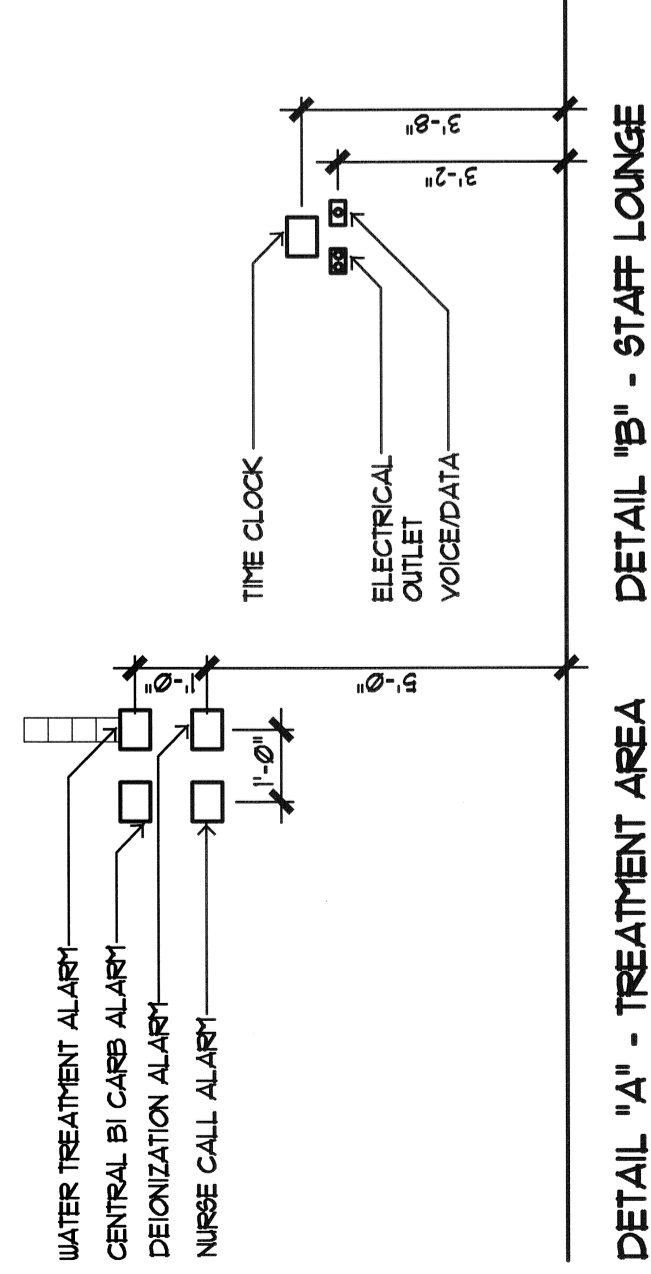
2 TYPICAL MILLWORK DETAIL  
 SCALE: 3/8" = 1'-0"



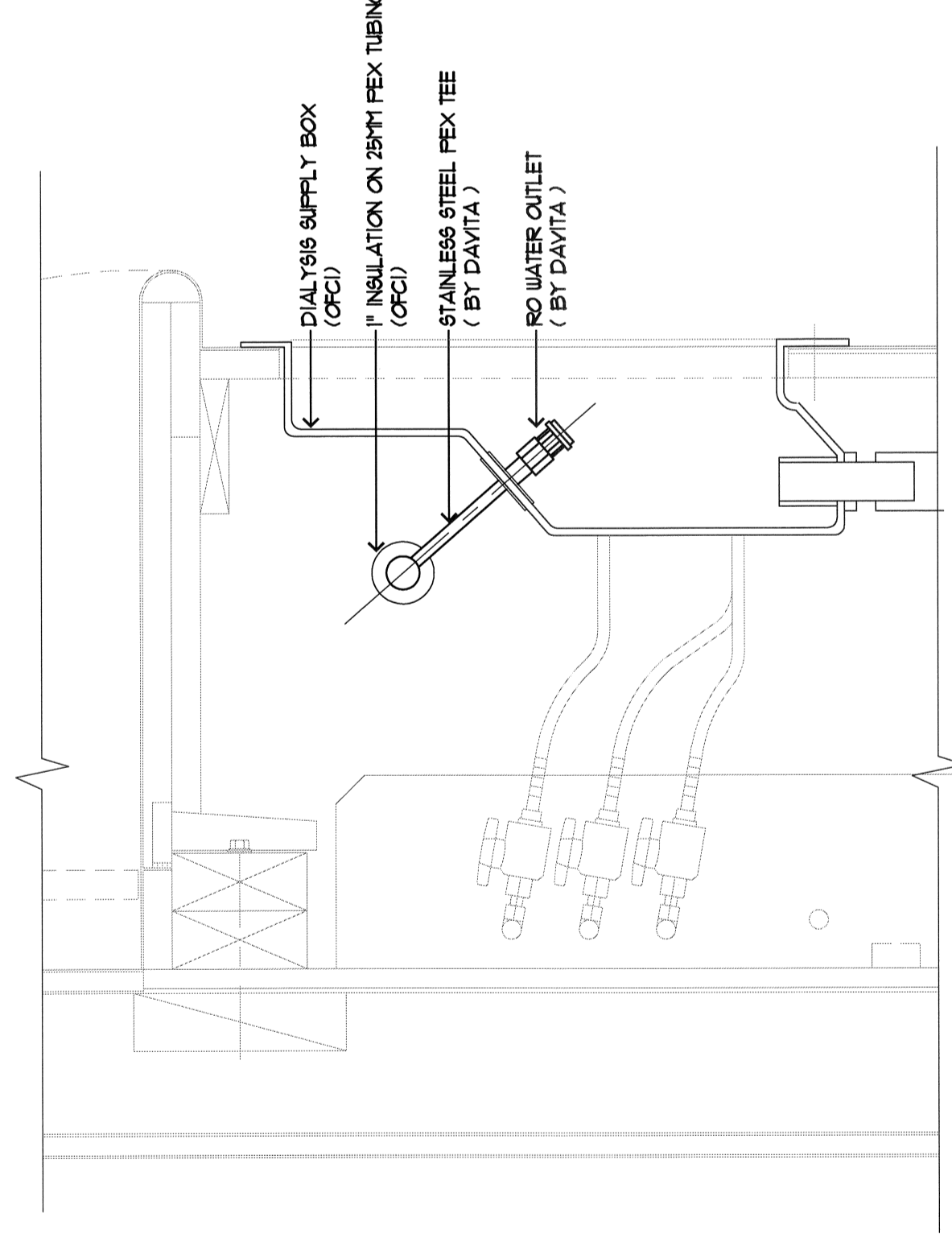
3 TYPICAL BASE CABINET DETAIL  
 SCALE: 3/8" = 1'-0"



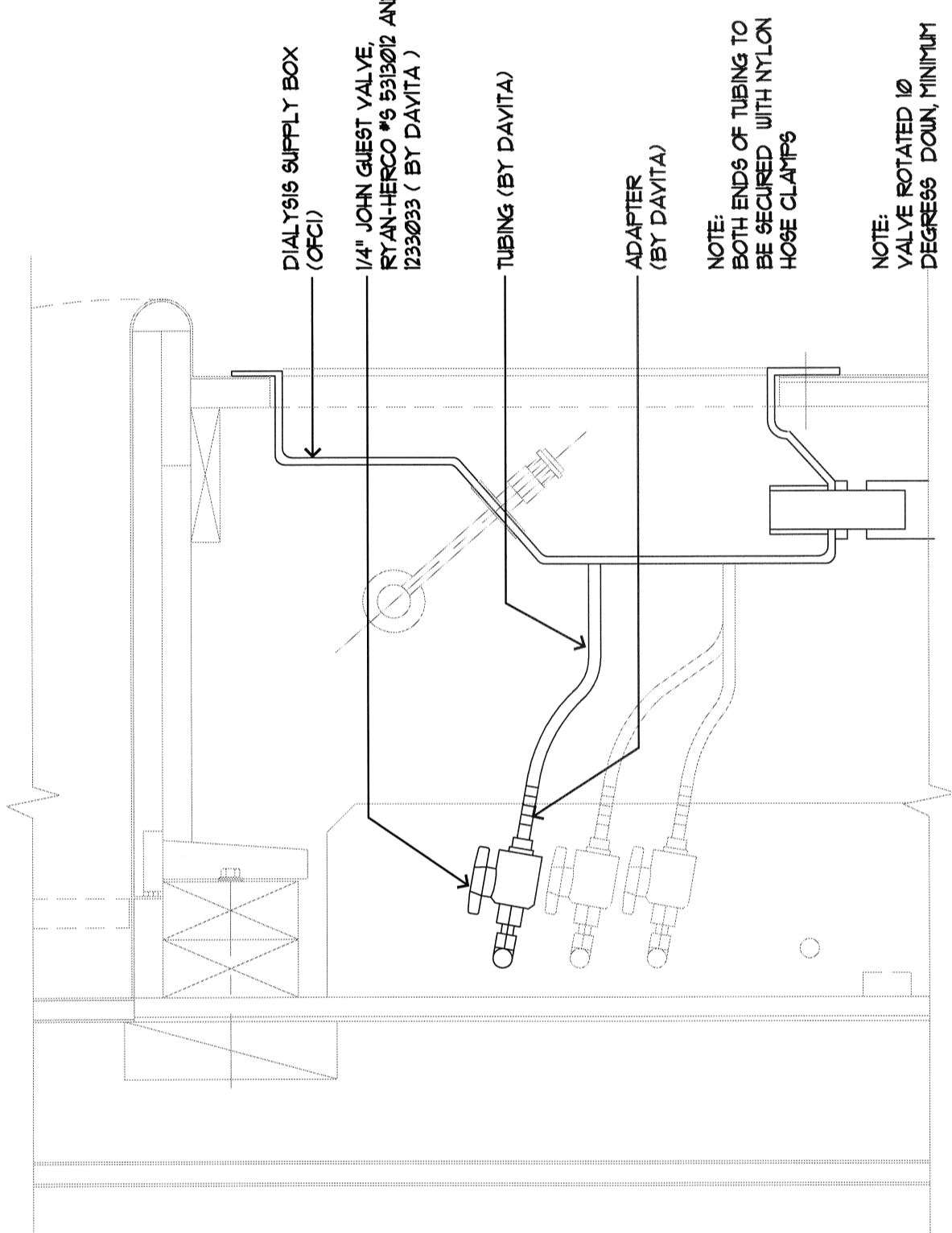
4 UPPER CABINET & LIGHT FIXTURE DETAIL  
 SCALE: 3/8" = 1'-0"



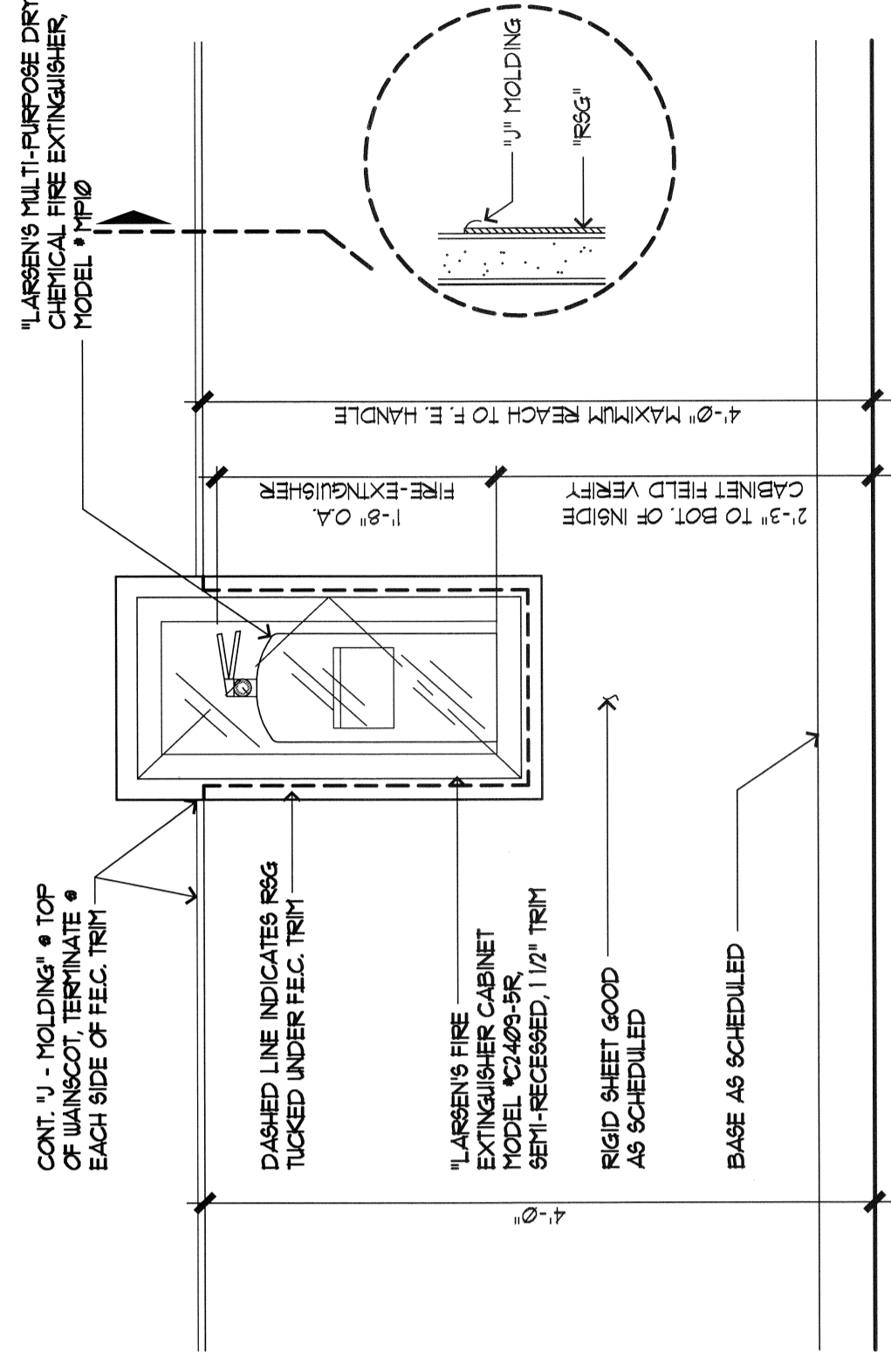
5 ALARM ANNUNCIATOR PANELS MOUNTING HEIGHTS  
 SCALE: 3/8" = 1'-0"



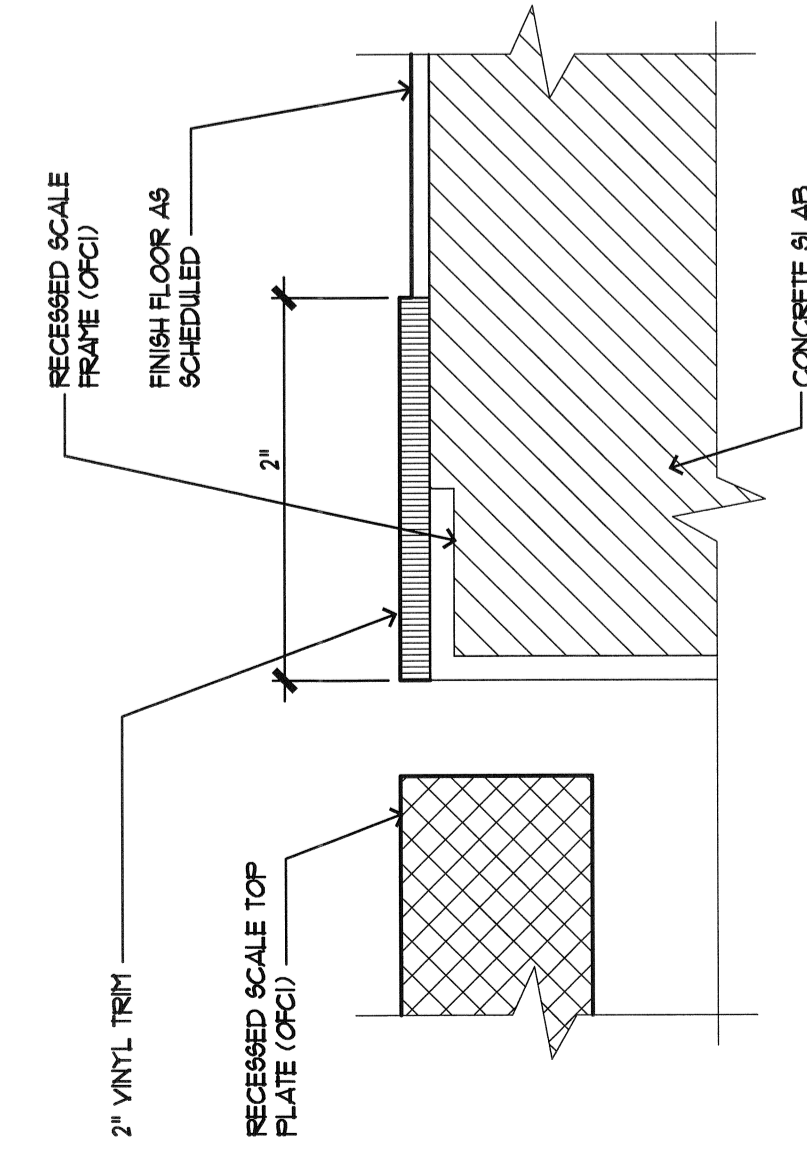
6 CWP R.O. CONNECTION DETAIL  
 SCALE: 3/8" = 1'-0"



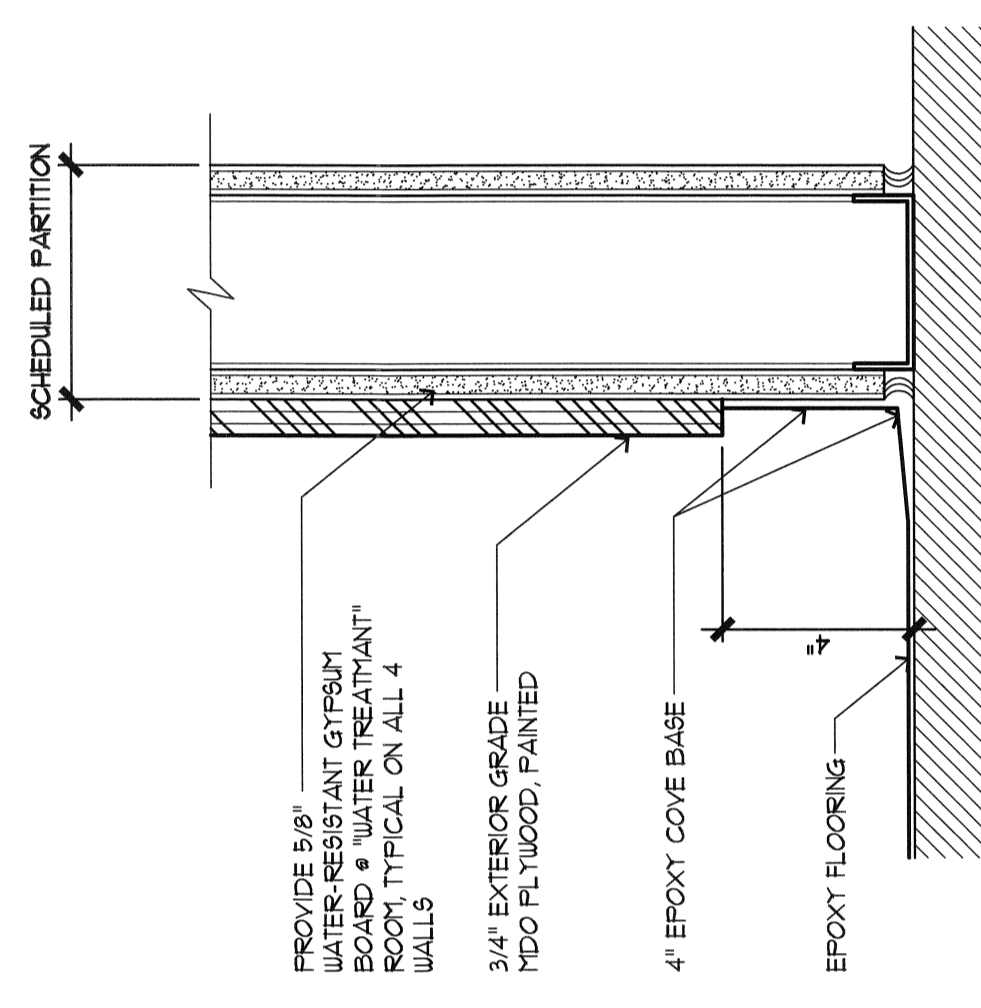
7 LABCOCK VALVE CONNECTION  
 SCALE: 3/8" = 1'-0"



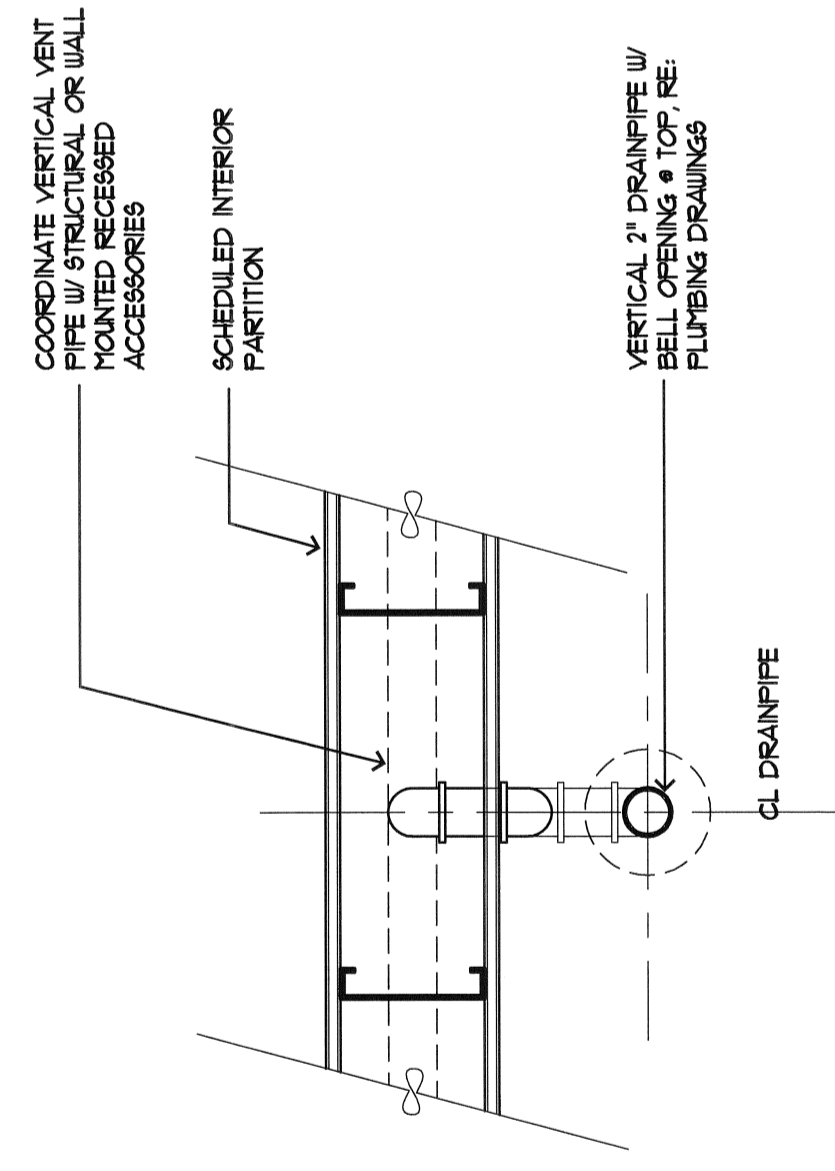
8 FIRE EXTINGUISHER CABINET ELEVATION  
 SCALE: 1/4" = 1'-0"



9 DETAIL @ RECESSED FLOOR SCALE  
 FULL SCALE



10 BASE DETAIL @ WATER TREATMENT RM.  
 SCALE: 3/8" = 1'-0"



11 REUSE DRAIN DETAIL UNDER RUF SINK  
 SCALE: 1-1/2" = 1'-0"

Sheet Number	Issuance Date	Revision / Description
680297	08/20/07	BASED FOR CHA REVIEW AND APPROVAL
694487	09/14/07	REVISED FOR PERMIT AND PROCHA

Project **Dayita**  
 FLEUR DE LIS CLINIC  
 5555 BULLARD AVE. Suite 110  
 NEW ORLEANS, LA. 70128

Sheet Title  
**MISC. DETAILS**

Project Number 2715  
 Sheet Date September 14, 2007  
 Scale NOTED ON DRAWING  
 Drawn By RCF, JPP  
 Checked By HDS