

Sheet Number	Issuance / Revision / Date	Description
04/23/07		BASED FOR ON REVIEW AND APPROVAL
05/14/07		BASED FOR PERMIT AND PROCEED

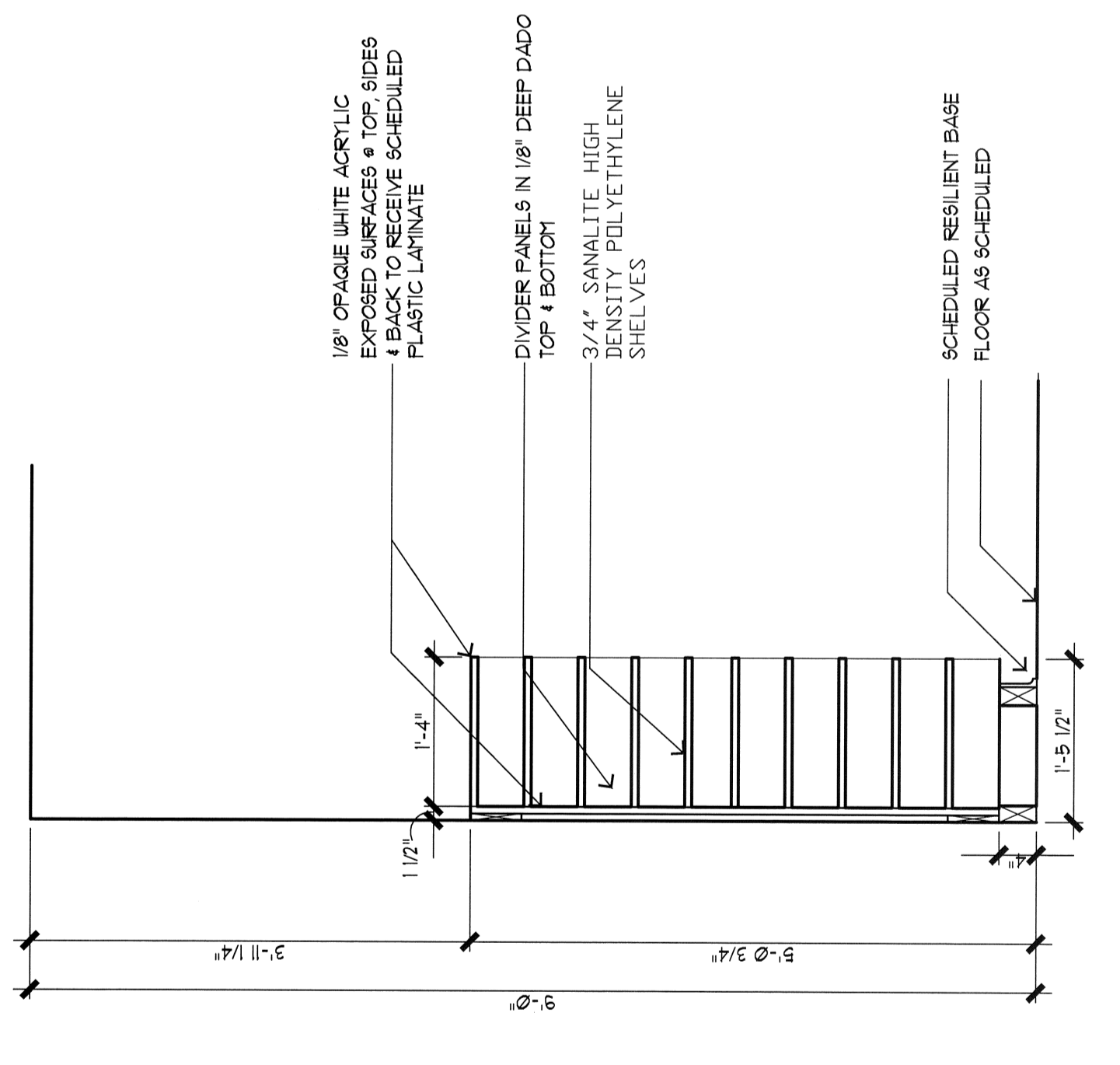
Project
DaVita
 FLEUR DE LIS CLINIC
 5555 BULLARD AVE. Suite 110
 NEW ORLEANS, LA. 70128

Sheet Title

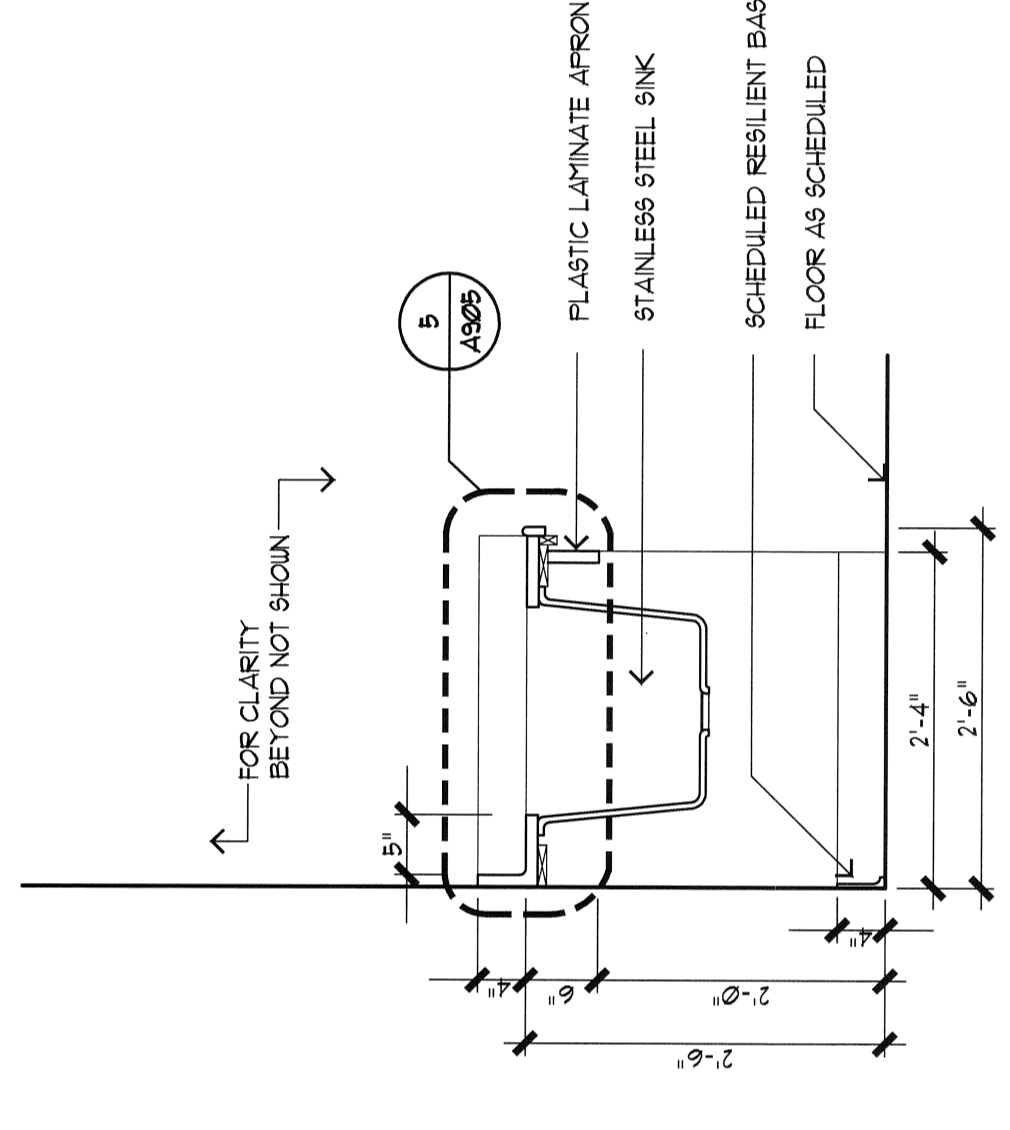
MILLWORK SECTIONS

Project Number	2715
Sheet Date	September 14, 2007
Scale	NOTED ON DRAWING
Drawn By	IB
Checked By	HDS

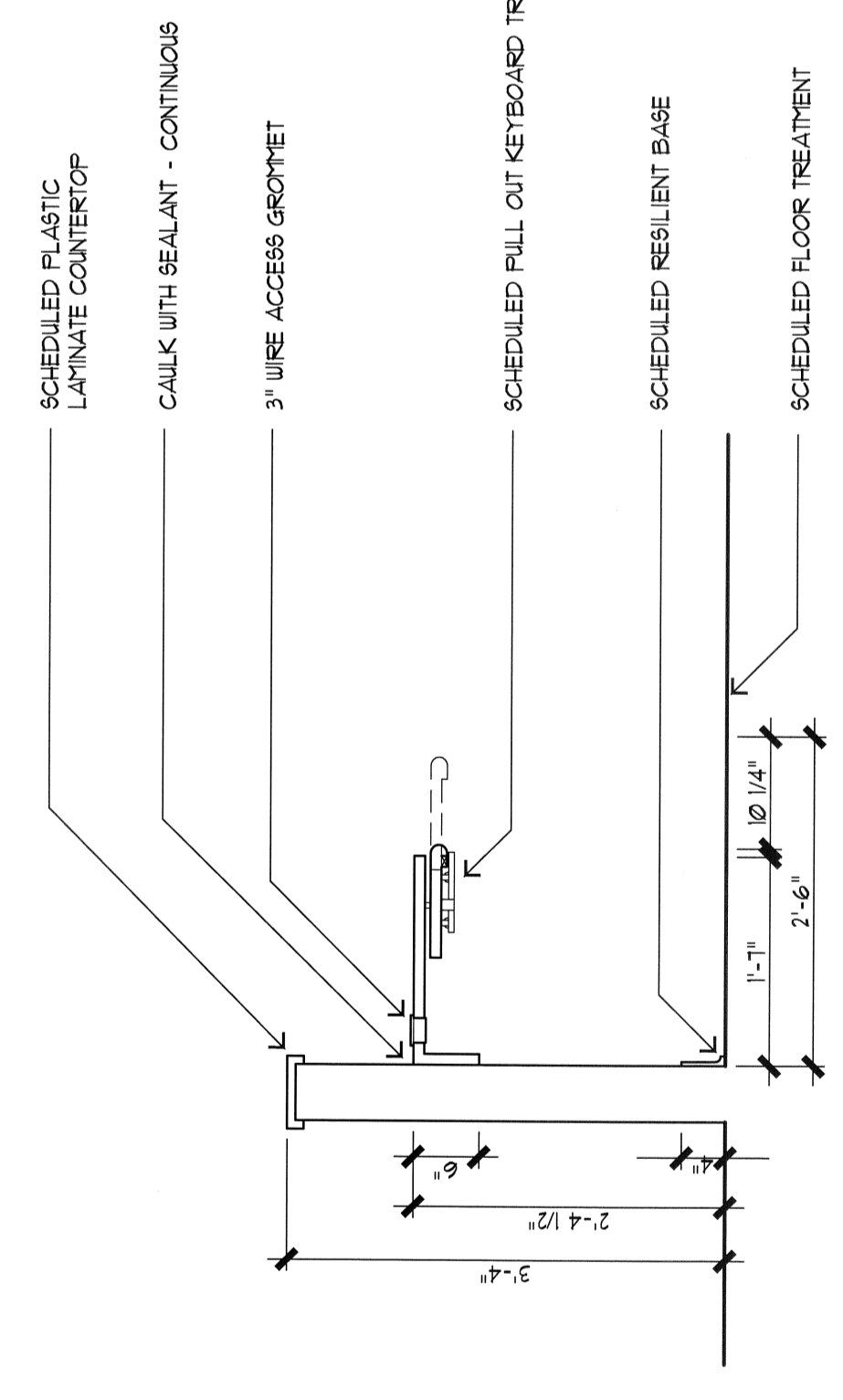
Sheet Number



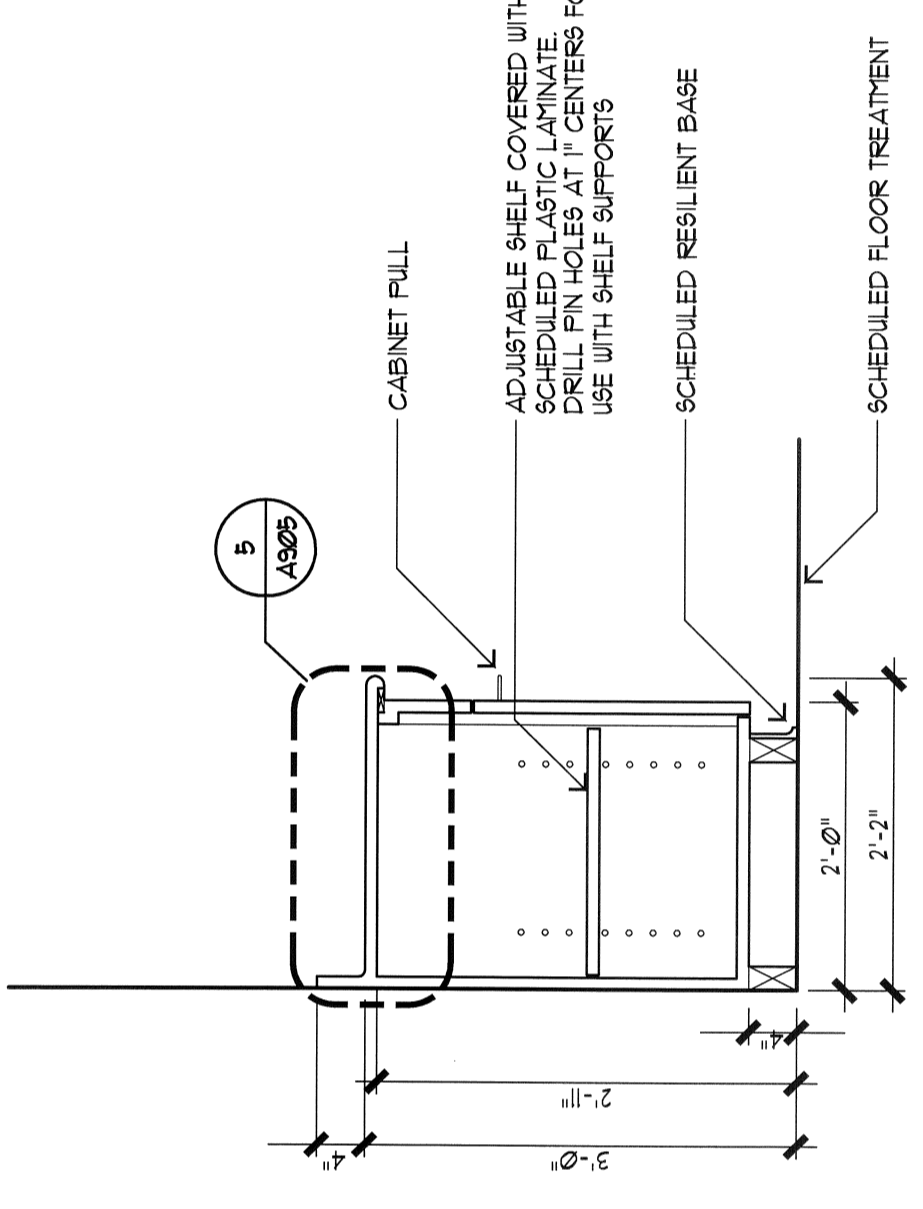
2 REUSE CUBIES SECTION
 SCALE: 3/4"=1'-0"



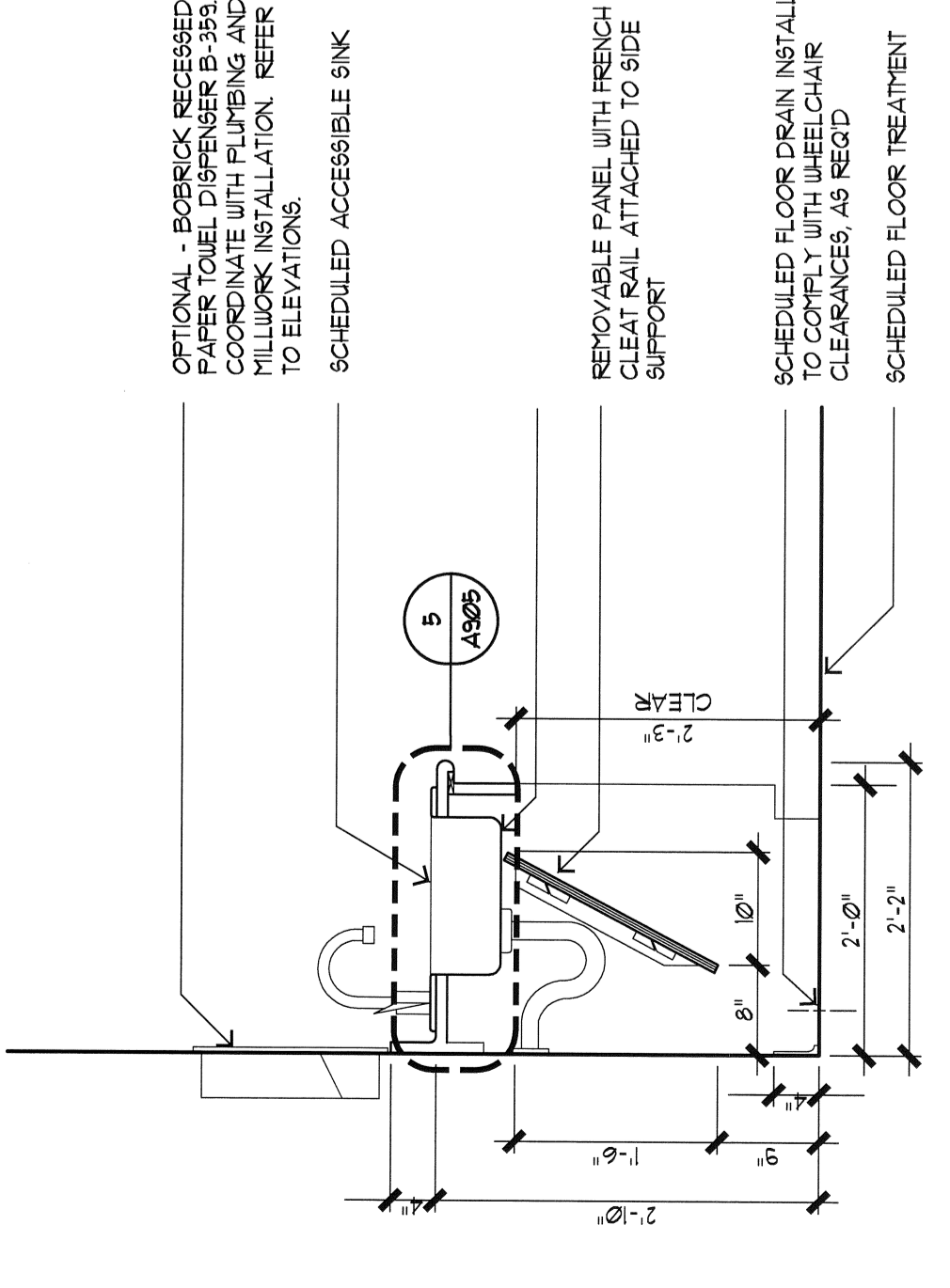
3 CABINET SECTION
 SCALE: 3/4"=1'-0"



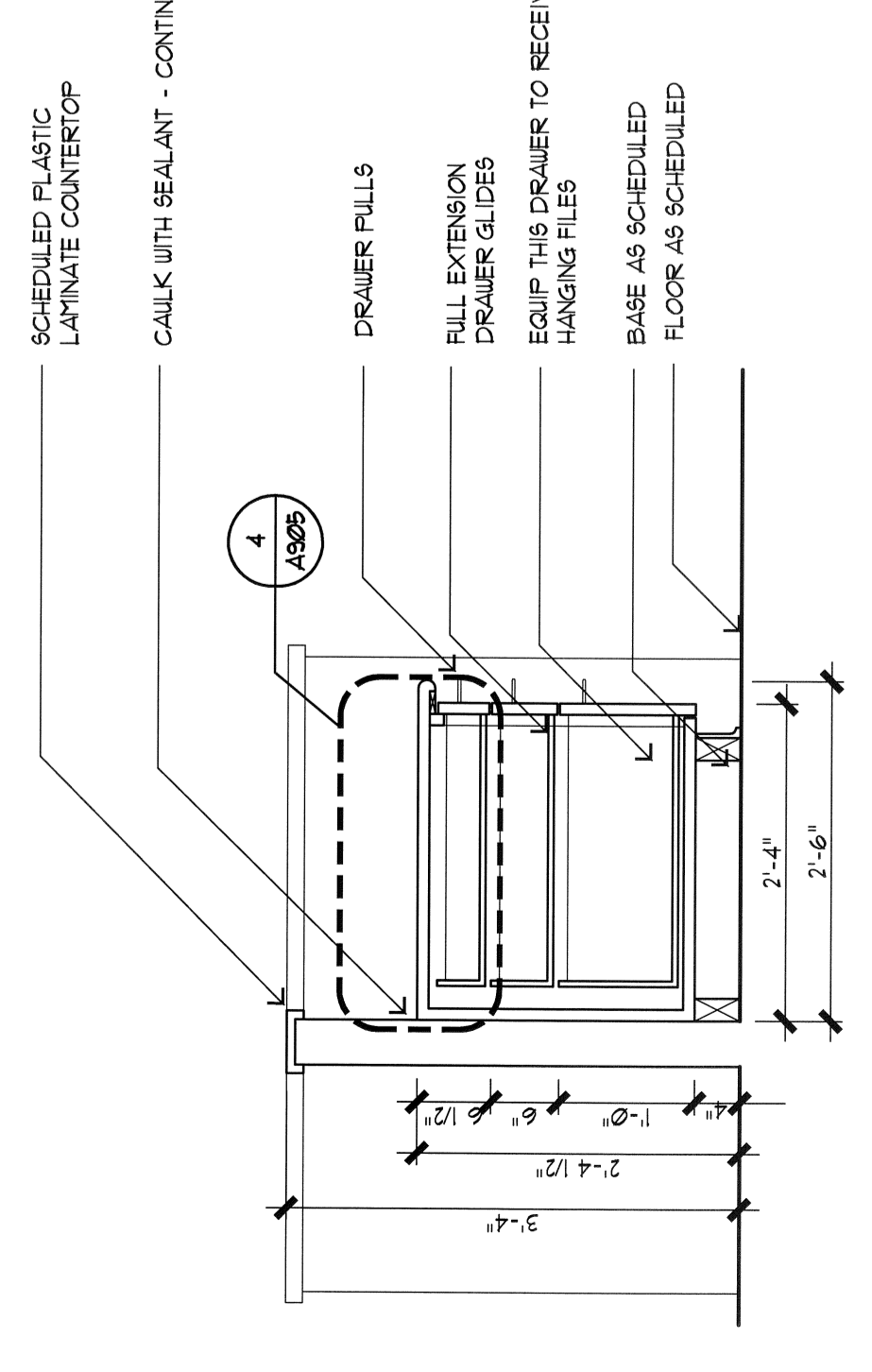
4 MED. PREP. CABINET SECTION
 SCALE: 3/4"=1'-0"



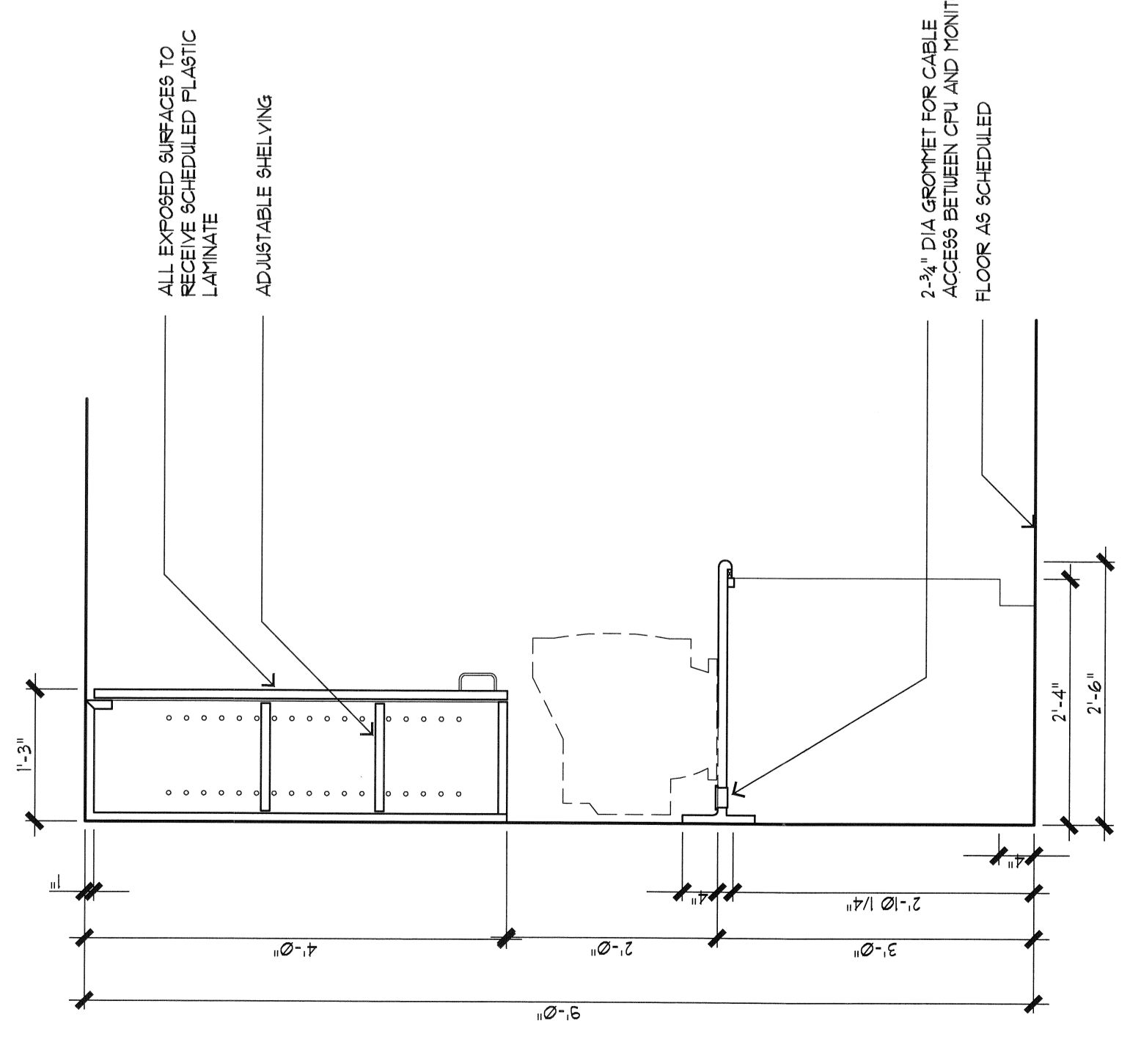
5 NURSE AREA CABINET SECTION
 SCALE: 3/4"=1'-0"



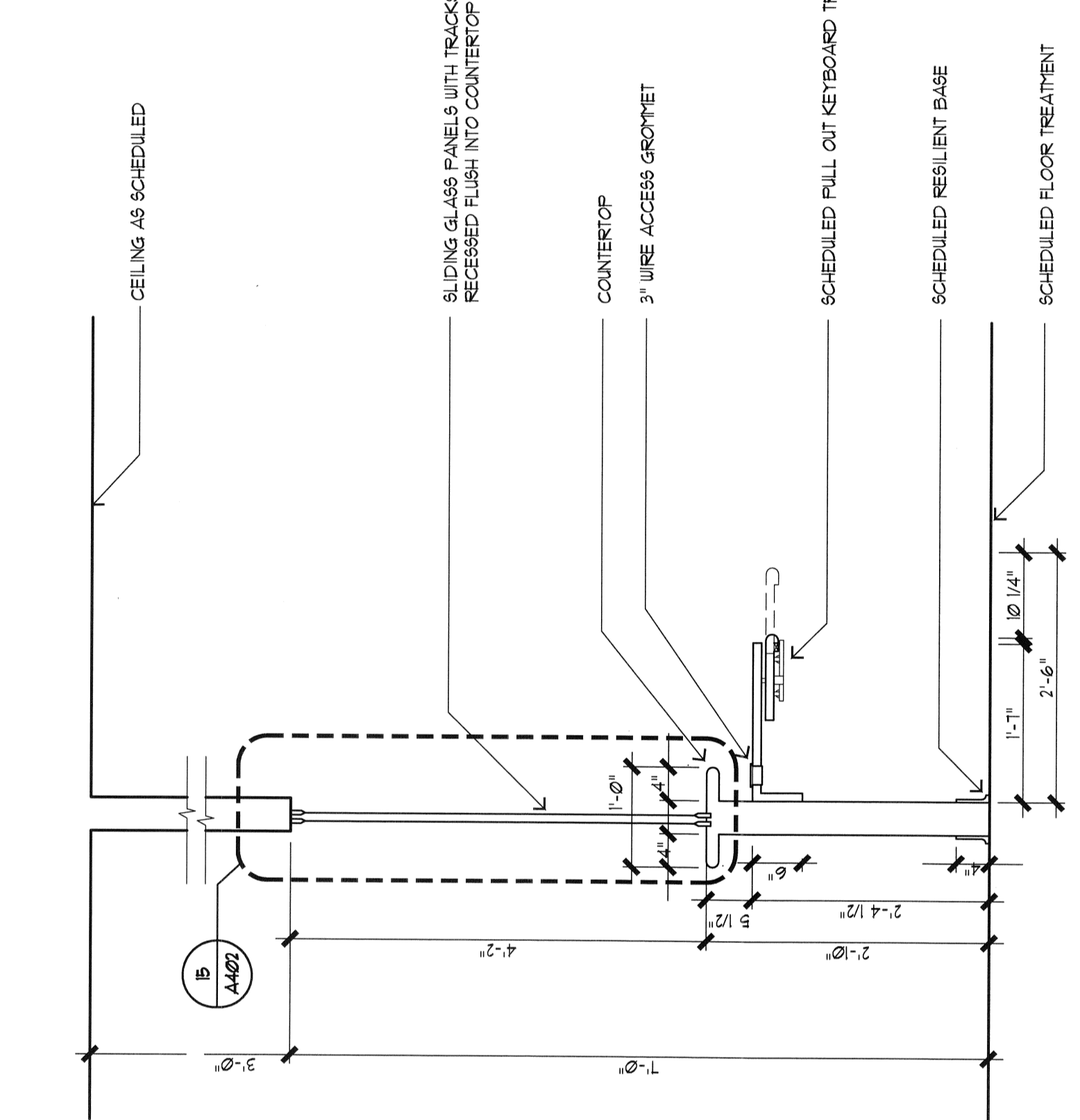
6 REUSE CABINET SECTION
 SCALE: 3/4"=1'-0"



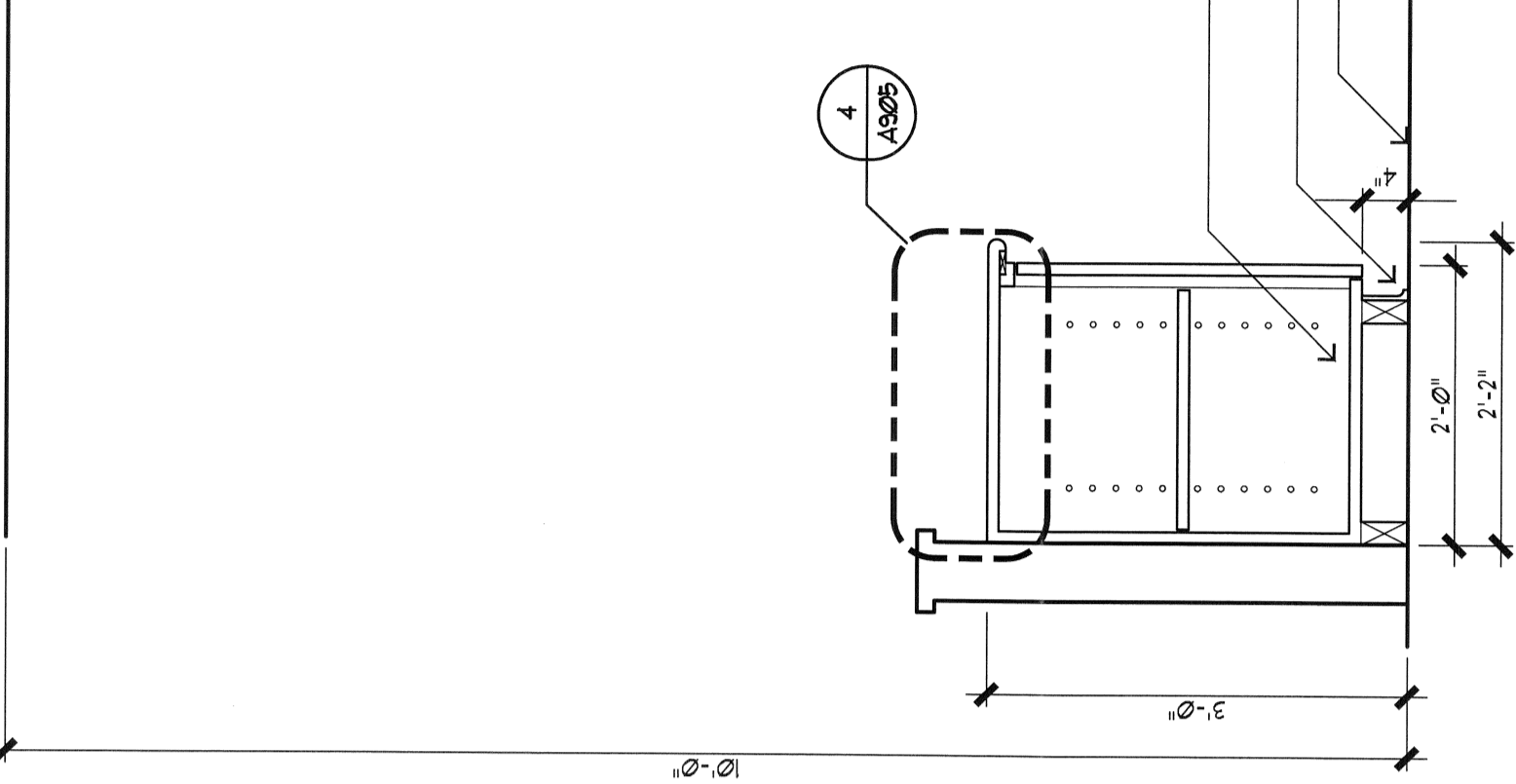
7 REUSE CABINET SECTION
 SCALE: 3/4"=1'-0"



8 REUSE CABINET SECTION
 SCALE: 3/4"=1'-0"



9 REUSE CABINET SECTION
 SCALE: 3/4"=1'-0"



10 CABINET SECTION
 SCALE: 3/4"=1'-0"



11 NURSE AREA CABINET SECTION
 SCALE: 3/4"=1'-0"